

# 電阻式溫度隔離雙輸出傳送器 ( DUAL OUTPUT RTD (Pt-100) ISOLATED TRANSMITTER )

MODEL  
DTP



## 特點(FEATURES)

- 精確度0.1%滿刻度 (Accuracy 0.1% F.S.)
- 多種輸入輸出選擇(Wide selection of input/output range)
- 三線式接線自動補償線路阻抗效應(3 wire configuration automatically compensate line resistance effects)
- 寬範圍交直流兩用電源設計(Wide input range for auxiliary power)
- 尺寸小,穩定性高(Dimension small and High stability)

## 1.MODEL:DTP-

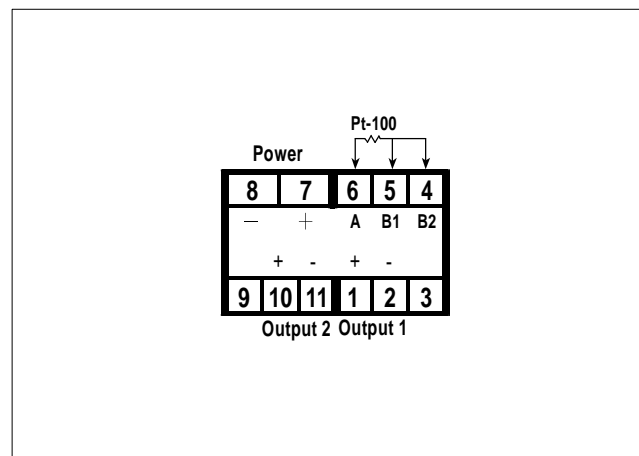
(選購型號)

NO	Input Range	NO	Input Range	NO	Output 1 Range	NO	Output 2 Range	NO	Aux. Power
1	0-50	6	-50~+50	C	1-5V	C	1-5V	A	AC/DC 18-60V
2	0-100	7	-100~+100	D	0-10V	D	0-10V	B	AC/DC 90-260V
3	0-200	9	SPECIFIED	F	0-1mA	F	0-1mA	Less 4VA for AC/DC input	
4	0-400	DIN standard (TCR=385ppm/ )		I	4-20mA	I	4-20mA		
5	0-800			R	SPECIFIED	R	SPECIFIED		

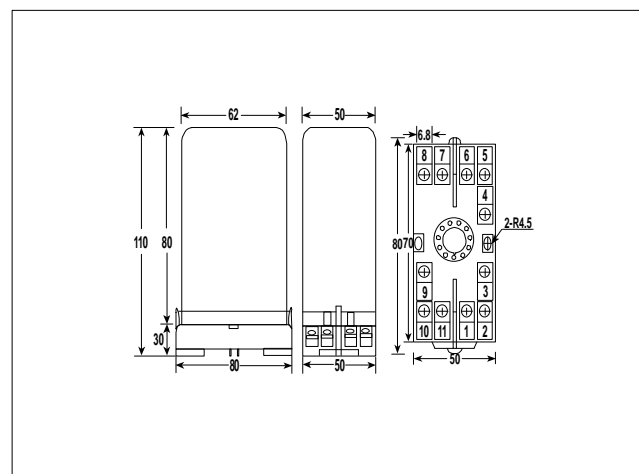
## 2.SPCIFICATION (主要規格)

- Measuring accuracy : 0.1% F.S. (23 ± 5 )  
(精確度)
- Sensing current : <2mA (<0.2V)  
(感應器電流)
- Response time : <250ms (0-90%)  
(輸出反應時間)
- Output drive capability : <10mA for voltage mode  
(輸出負載能力)
- Output ripple(p-p) : <0.1% F.S.  
(輸出漣波)
- Zero (offset) range : 0- ± 5% F.S.  
(歸零調整範圍)
- Span (scale) range : 0- ± 10% F.S.  
(最大值調整範圍)
- Temp. coefficient : 100ppm/ (0-50 )  
(溫度係數)
- Isolation : Input/Output1/Output2/Power/Case  
(隔離特性)
- Insulation Resistance : >100Mohm with 500V DC  
(絕緣阻抗)
- Dielectric strength : 2KVac/1 min. (input/output1/output2/power)  
(絕緣耐壓能力)
- Operating condition : 0-60 (20 to 90% RH non-condensed)  
(使用環境條件)
- Storage condition : 0-70 (20 to 90% RH non-condensed)  
(存放環境條件)
- Construction : Socket/plugin type with barrier terminals  
(安裝方式)
- CE EMC Certification : EN 55022:1998/A1:2000 Class A  
(CE 認證)
- EN 61000-3-2:2000
- EN 61000-3-3:1995/A1:2001
- EN 55024:1998/A1:2001

## 3.TERMINAL CONNECTION (接線圖)



## 4.DIMENSION(unit:mm) (外型尺寸)



<http://www.gotojs.com>

0512-67574144