

交流功率因數轉換器 (AC POWER FACTOR(COS θ) TRANSDUCER)

MODEL
PPF



特點(FEATURES)

- 精確度0.25%滿刻度 $\pm 0.25^\circ$ (Accuracy 0.25%F.S. $\pm 0.25^\circ$)
- 多種輸入,輸出選擇(Wide selection of input/output range)
- 輸入與輸出絕緣耐壓2仟伏特/1分鐘(Dielectric strength 2KVac/1min. (input/output/power))
- 沖擊電壓測試5仟伏特(1.2x50us)(Impuse test 5KV(1.2x50us)(IEC255-4,ANSI C37.90a/1974)
- 突波電壓測試2.5仟伏特(0.25ms/1MHz)(Surge test (ring wave)2.5KV(0.25ms/1MHz))(IEC255-4)
- 尺寸小,穩定性高(Dimension small and High stability)

1.MODEL:PPF (選購型號)

NO	Input Unit	NO	VoitageRange	NO	Current Range	NO	Frequency	NO	Output Range	NO	Output Range	NO	Aux.Power
1	1 ϕ 2W	1	0~120V	1	0~1A	A	50Hz	A	DC0~50mV	F	DC0~1mA	A	AC110/220V
3	3 ϕ 3W	2	0~240V	2	0~5A	B	60Hz	B	DC0~1V	G	DC0~10mA	B	AC/DC20~60V
4	3 ϕ 4W	3	0~400V	9	SPECIFIED	C	400Hz	C	DC1~5V (uni.)	H	DC0~20mA	C	AC/DC90~260V
9	SPECIFIED	9	SPECIFIED			O	SPECIFIED	D	DC0~10V	I	DC4~20mA (uni.)		Less 4VA for AC/DC input
			Voitage $\pm 30\%$			E	Frequency $\pm 10\%$	E	DC2~10V (uni.)	R	SPECIFIED		

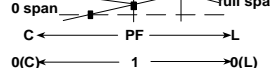
Note:1.uni.=uni-direction=0 to +span

Calibration:Dn

Unipolar output (as 0-10V,4-20mA,0-10mA)

D1:0.5(C) to 1 to 0.5(L) vs D2:0(C) to 1 to 0(L) vs

0 to 1/2 span to full span output 0 to 1/2 span to full span output



Note:(C):capacitive load (L):inductive load

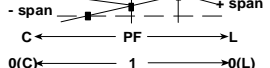
Note:2.bi=bi-direction=-span to 0 to +span referring calibration

Calibration:Dn

Bipolar output (as ± 1 mA, ± 10 mA, ± 10 V)

D3:0.5(C) to 1 to 0.5(L) vs D4:0(C) to 1 to 0(L) vs

-span to 0 to +span output -span to 0 to +span output

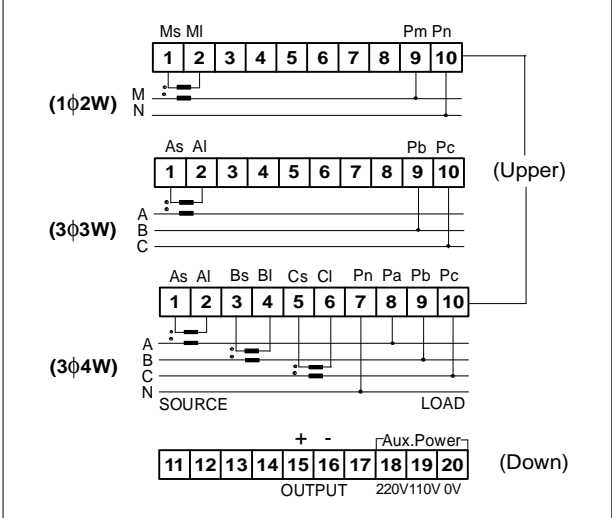


Note:(C):capacitive load (L):inductive load

2.SPECIFICATION (主要規格)

- Measuring accuracy (精確度): 0.25% F.S. $\pm 0.25^\circ$ (23 ± 5)
- Input burden (輸入負載): <0.2VA (Voltage), <0.2VA (Current)
- Maximum input over (最大過載能力): Current related input: 3 x rated continuous, 10 x rated 30 sec. 25 x rated 3sec. 50 x rated 1sec. Voltage related input: maximum 2 x rated continuous
- Response time (輸出反應速度): < 250ms(0~90%)
- Output drive capability (輸出負載能力): < 10mA for voltage mode, < 10V for current mode
- Output ripple (p-p) (輸出之漣波): < 0.1% F.S.
- Zero (offset) range (歸零調整範圍): 0~ $\pm 5\%$ F.S.
- Span (scale) range (最大值調整範圍): 0~ $\pm 10\%$ F.S.
- Temp. coefficient (溫度係數): 100ppm/ (0~50)
- Isolation (隔離特性): Input/Output/Power/Case
- Insulation Resistance (絕緣阻抗): >100Mohm with 500V DC
- Dielectric strength (絕緣耐壓能力): 2KVac/1 min. (input/output/power/case)
- Surge test (突波測試): ANSI C37.90a/1974,DIN-IEC 255-4 impulse voltage 5KV(1.2x50us)
- Operating condition (使用環境條件): -20~60 (20 to 90% RH non-condensed)
- Storage condition (存放環境條件): -30~70 (20 to 90% RH non-condensed)
- CE EMC Certification (CE認證): EN 55022:1998/A1:2000 Class A, EN 61000-3-2:2000, EN 61000-3-3:1995/A1:2001, EN 55024:1998/A1:2001

3.Terminal Connection (接線圖)



4.Dimension(unit:mm)(外型尺寸)

