

ESG[®]

www.esgvalve.com



精准阀控 锐创未来



VALVE & AUTOMATION

青岛精锐机械制造有限公司
QINGDAO ELITE MACHINERY MANUFACTURE CO.,LTD.

为世界，造好阀！
Perfect Valve World!

公司简介

青岛精锐机械制造有限公司，是气动控制阀门的研发、生产、销售于一体的合资企业。公司引进欧洲尖端的阀门技术，致力于打造高端中小型不锈钢气动控制阀门。主要产品包括不锈钢气控角座阀，气控梭阀，气控蝶阀，球阀，减压阀，疏水阀，止回阀，过滤器等，广泛用于纺织印染、泡塑、空分、化工、食品、制药等行业；产品销往全球62个国家，国内外客户共计2000多个，与多家世界五百强企业（如美国GM、艾默生、Xylem、韩国三星、日本津田驹）保持着良好、长期的合作，得到客户的信任和好评！

公司位于青岛市即墨通济工业园，厂区面积1.6万M²，拥有先进的不锈钢精密铸造线、精密加工（26台数控CNC）、阀门装配检测等多条生产线，配备了德国进口光谱仪、三坐标检测仪、投影仪、表面粗糙度仪、硬度计等精密仪器，确保生产出国际一流品质的工业阀门。

公司先后通过了ISO9001质量管理体系认证，欧盟CE认证，俄罗斯CU-TR认证。2015年4月23日在青岛蓝海股权交易所成功鸣锣上市，标志着青岛精锐在制造业取得了长足的进步和发展。

我们秉承“高效，务实，严谨，创新”的企业精神，立志成为全球最具竞争力的阀门企业，竭诚为您提供优质的产品和满意的服务。





Company Profile

Founded in 2001, we are specialized in design & manufacture stainless steel valve for industrial flow system. Our products include pneumatic angle seat valve, shuttle valve, ball valve, butterfly valve, pressure reducing valve, steam trap, check valve and strainer, which are widely exported to total 62 countries over the world. In fact, we have become supplier for GM, Xylem, EMERSON and Samsung, TSUDAKOMA for long term.

As a fully integrated company offering R&D services, all of our products are made under ISO9001 certified processes. With a advanced quality assurance system, we have got CE, CU-TR certificates. Our plant covers 16,000sqm, which holds 26 advanced CNC lathes, investment casting foundry. Our QC team are equipped with: CMM Brown & Sharp, SPECTROMAX Meter-Germany, so we can ensure consistent quality and fast lead time on all the orders.

We aim at providing one-stop service and will become your good choice for project, equipment, tender, etc. For high quality valves and perfect services, contact ESG now!





企业资质 Enterprise Qualification

荣誉源于用心，每份认可的资质证书凝聚精锐人奋力拼搏的结晶，每份荣誉都是我们的金名牌和通行证，那是我们一个个路标，那是我们一次次的历程。

Honor originates from devotion , every recognized certificate concentrates struggling efforts of ESG personnel , and every honor is our golden card and passport ,they are our road signs and our experiences..

我们珍视用多年汗水铸就的品牌，珍惜每一份来之不易的荣誉。一步一个脚印，不断锐意进取，超越自我！
 We cherish our brand that build up by our effort and perspiration cherish every honor that hard-earned. Step by step, and keep forging ahead, beyond the self!



■ CE Certificate
 欧盟认证



■ CE Certificate
 欧盟认证



■ ISO 9001 认证



■ ISO 9001 Certificate



■ CU-TR Certificate
 俄罗斯CU-TR认证



■ Valve Patent
 阀门专利



■ Valve Patent
 阀门专利



■ Valve Patent
 阀门专利

为世界，造好阀！
Perfect Valve World!



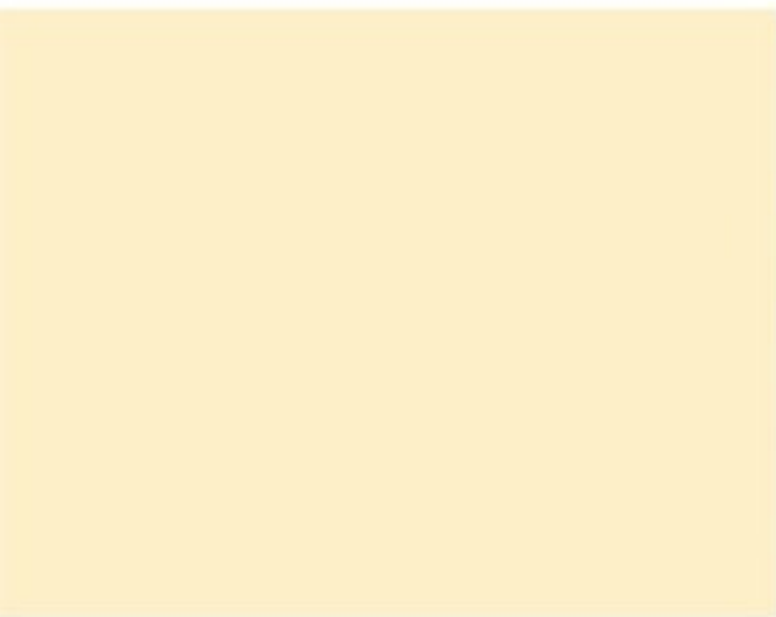
先进的生产线: CNC加工 & 不锈钢精密铸造 Advanced Plant: CNC Machining & Investment Casting

以创新能力开创未来、凭一流设备铸造辉煌

"提高全员的质量意识，强化科学的质量管理，生产让顾客满意的产品，提供全面的优质服务"是ESG坚定不移的方针，公司将充分发挥企业优势，持续改进质量，全面提升产品技术水平和服务水平，向用户提供高质量的产品和完善的服务，为社会作出更大的贡献。

我们拥有世界先进的生产装备，运用崭新的工业概念及强大的技术力量，生产出符合国际标准的高品质终极产品。





Create future on innovation capacity, fund resplendence on fist-class facility

It is the unswerving policy of ESG Company to enhance the quality consciousness of all personnel, intensify scientific quality management, manufacture products that satisfy customers and provide all-round quality services. Our company will give full play to our advantages, keep improving quality promote overall technical competence and service level so as to provide users with high quality products and perfect services and make greater contributions to society.

We will produce high quality ultimate products that are in accordance with international standards by adopting world advanced production equipment , brand new industrial conception and powerful technical strength.

为世界，造好阀！
Perfect Valve World!

检测试验中心 Inspection & Testing



■ 阀门密封&性能检测 Valve Sealing & Functional Test



■ 光学投影仪 Profile Projector



■ 硬度检测 Hardness Testing



■ 三坐标测量仪 CMM Brown & Sharp



■ 材质分析-德国斯派克光谱仪 SPECTROMAX Meter, Germany

品质是成就品牌的精髓所在，要获得品质，需要精雕细琢。ESG的创作要旨，是专注于每一个细节，精心呵护，精益求精，打造品牌，坚如磐石。拥有领先的设计，科学缜密的管理，从零部件引进，到在线生产，再到整机组装、检测，每一个环节都在专业技术人员的严格控制之下，一丝不苟，确保了出厂产品具有过硬的质量。要让客户满意，我们就要精心呵护产品的点点滴滴。

Quality is the essence of success brand, for quality, needs to be carved fine cut. ESG creation to notions of, is to focus on every detail, carefully ah protection, excellence, build brand, rock solid. With leading design, rigorous scientific management, introduced from components, to online production, and the whole machine assembly, testing, every link in under the strict control of professional and technical personnel, meticulous, ensure the out plant products have excellent quality. Want to let customer satisfaction, we will be fine heart care products dribs and drabs.

为世界，造好阀！
Perfect Valve World!



我们上市了!

大事记 Great News

2015年4月23日上午,青岛精锐机械制造有限公司在青岛蓝海股权交易中心成功挂牌上市!

交易代码：**800219**

ESG has become a publicly listed company in Qingdao Blue Ocean Equity Exchange on April.23, 2015!



企业文化 Enterprise Culture

企业宏愿：成为全球最具竞争力的阀门企业！

核心价值观：敬天 爱人

企业精神：高效 务实 严谨 创新

经营理念：以人为本 以德为魂 以技为荣 以质为先

行动宣言：准备做的事，有条不紊！

决定做的事，雷厉风行！

正在做的事，精益求精！



■ 弘善家园公益讲堂



■ 弘善家园公益讲堂



■ 弘善家园公益讲堂



■ 我们的义工团队



■ 德国展会



■ 广州展会

CONTENT

目录



01

100 系列 100 Series
角座阀 Angle Seat Valve



39

600 系列 600 Series
过滤器 Strainer



19

200 系列 200 Series
梭阀 Shuttle Valve



41

700 系列 700 Series
减压阀 Pressure Reducing Valve



25

300 系列 300 Series
蝶阀 Butterfly Valve



42

800 系列 800 Series
蒸汽疏水阀 Steam Trap



27

400 系列 400 Series
球阀 Ball Valve



45

900 系列 900 Series
平衡阀 Balancing Valve



35

500 系列 500 Series
止回阀 Check Valve



46

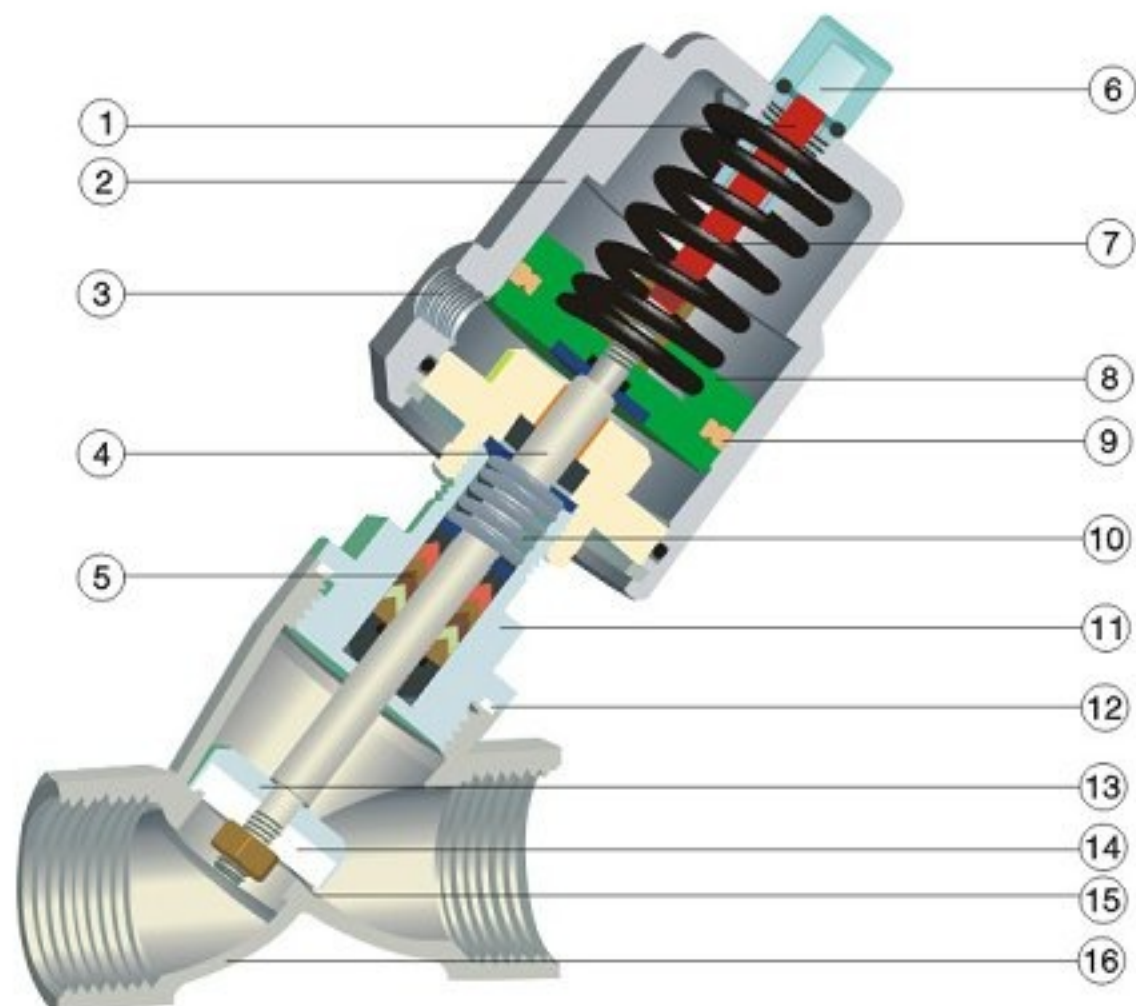
快速接头系列
Quick Coupling

Pneumatic Angle Seat Valve

不锈钢气控角座阀

ESG®

100 系列 100 Series



1. 指示杆 Indication Rod (nylon)
2. 气缸 Actuator (CF8)
3. 进气孔 Pilot Port (1/8")
4. 阀杆 Stem (AISI316/304)
5. 阀杆密封组件 Stem Seal (PTFE)
6. 视窗 Cap (PC)
7. 弹簧 Spring (Steel 65Mn)
8. 活塞 Piston (Alu.alloy)
9. 活塞环 Piston Seal (Viton)
10. 密封弹簧 Seal Spring (AISI304)
11. 连接 Connecting Piece (CF8M/CF8)
12. 阀体密封垫 Body Seal (PTFE)
13. 阀芯 Valve core (CF8M/VF8)
14. 阀芯密封垫 Seat (PTFE)
15. 垫片 Gasket (AISI316/304)
16. 阀体 Body (CF8M/CF8)

■ 工作原理 Function Principle

在非工作状态时，由于弹簧力作用，阀门常闭（开）。当执行器活塞被压缩气体作用时，阀门打开（关闭）。双作用形式靠压缩气体控制阀门开关。

Valve is closed(open) with spring force, when the piston is actuated by compressed air, valve is open (closed). For the double acting type, the valve is open and closed by compressed air.

■ 应用范围 Applications

- 啤酒饮料灌装设备
- 印染纺织
- 气体工业
- 制药及医疗设备
- 化工行业
- 高温灭菌
- 发泡机械
- 水/污水处理

beer & Drinks Filling Machinery
Textile printing & Dyeing
Gas industry
Pharmacy & Medical Equipment
Chemical industry
Disinfection
Frothing Equipment
Water/sewage Disposal

■ 特点 Advantages

- 流量大、流阻小、无水锤
- Y型设计，增加30%流量
- 超长使用寿命
- 阀杆自动校正，自润滑，免维护
- 气缸采用不锈钢材质，在恶劣的环境中更加优秀，可360° 旋转。

Large Flux, low Resistance, No Water-hammer
Y-type Shape Enlarged The Flowing Section, which Could Raise The Flux By 30% And Make Flow More Smooth
Super Long Life
Which Help The Stem Adjust And Lubricate Itself Automatically.
The Cylinder Material is Stainless Steel.
Lubricating Automatically, 360 Rilling Freely

■ 技术参数 Technical Data

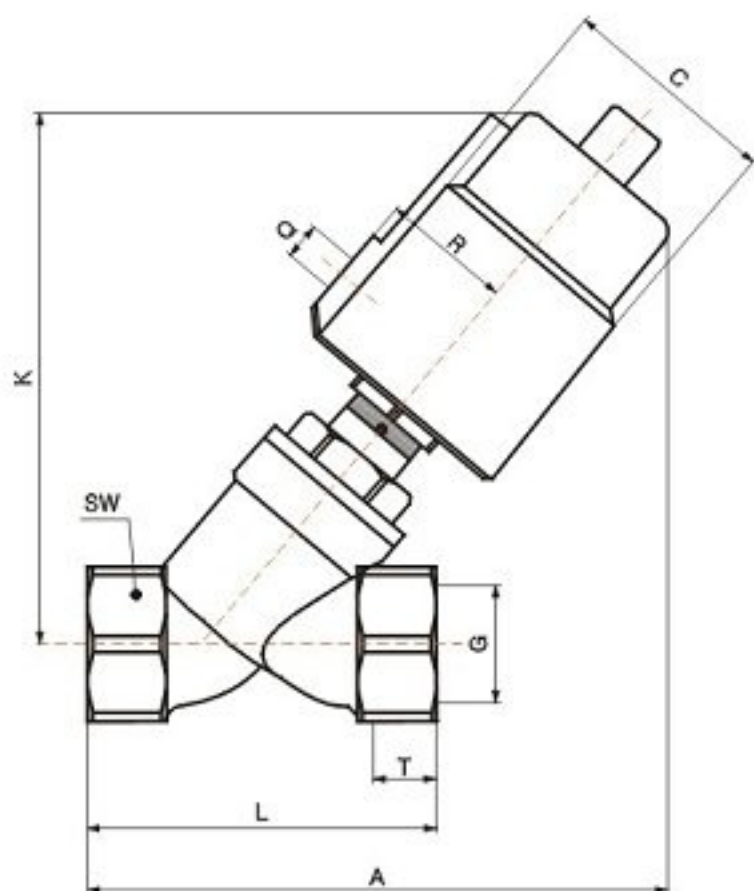
管道压力 Fluid Pressure	Max1.6MPa(232psi)
控制压力 Control Pressure	0.3-0.8MPa (43.5-116psi)
控制介质 Control Fluid	中性气体或空气 Neutral gas, Air
阀体材料 Body Material	CF8M/CF8
密封材料 Seals Material	PTFE
气缸材料 Actuator Material	CF8
气缸尺寸 Actuator Size	40mm,50mm,63mm,90mm,125mm
适用介质 Applicable Fluid	水, 酒精, 油, 染料, 蒸汽, 中性气体或液体, 有机溶剂, 酸碱溶液 Water, Alcohol, Oil, Fuel, Steam, Neutral gas or liquid, Organic solvent, Acid and lye
介质粘度 Fluid Viscosity	Max 600mm ² /s
介质温度 Fluid Temperature	-10°C-+180°C, 25°C-+220°C
环境温度 Ambient Temperature	-10°C-+80°C
控制形式 Control Type	单作用常闭, 常开, 双作用常闭, 双作用自由态 Normally closed, Normally open, Double acting
连接形式 Connection	螺纹式, 焊接式, 法兰式, 快装式 Threaded(BSP,BSPT,NPT),Welded,Flanged,Tri-clamp

Pneumatic Angle Seat Valve

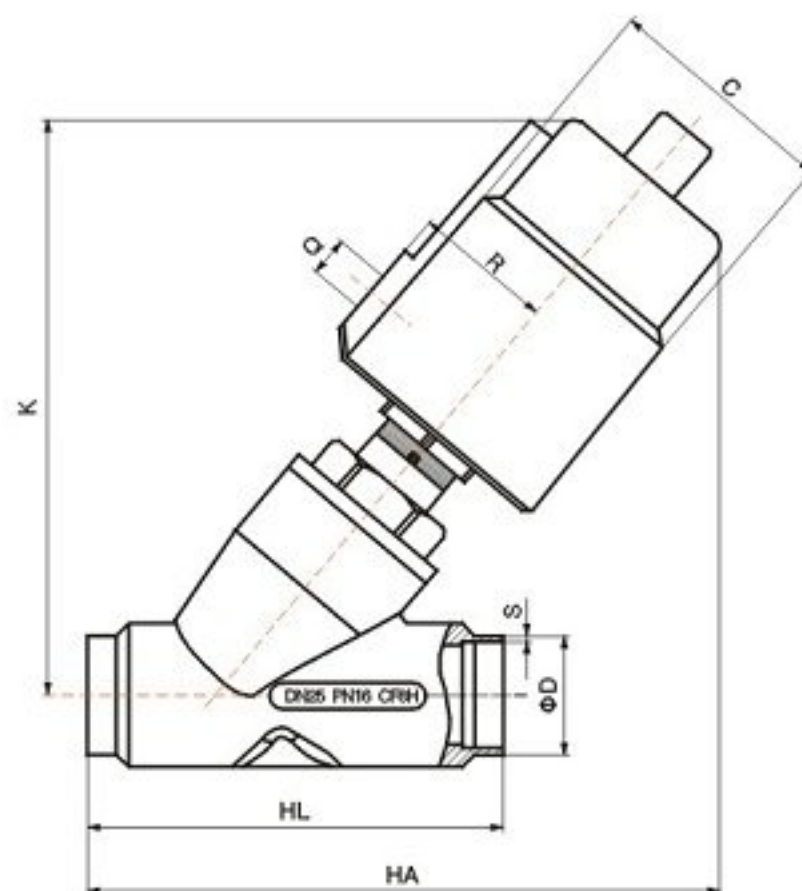
不锈钢气控角座阀



100 系列 100 Series



螺纹式 Threaded Connection



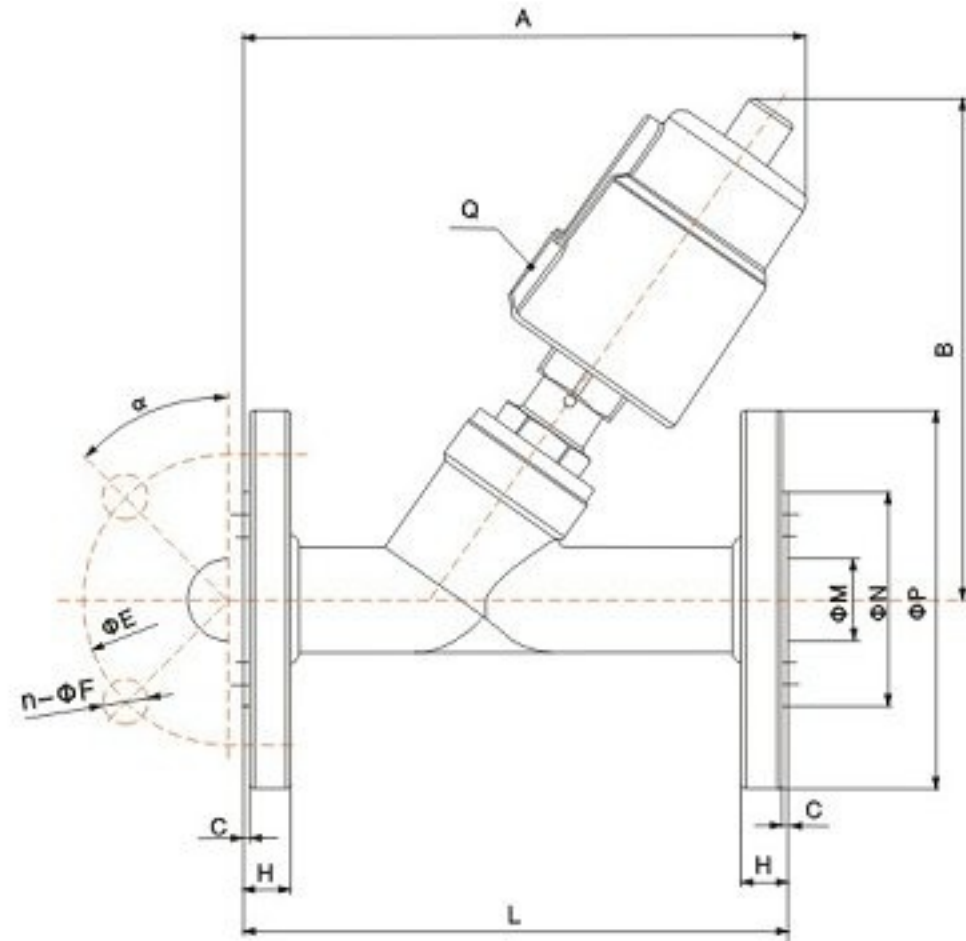
焊接式 Welded Connection

外形尺寸 Dimensions

规格 size	执行器 actuator (mm)	Q	C	R	K	螺纹式 Threaded connection					焊接式 Welded connection					
						G	T	A	L	SW	HA	HL	DIN 11850-2		DIN 11850-3	
													D	S	D	S
DN10	40	1/8"	50.5	27	112	3/8"	12	124	68	27	-	-	-	-	-	-
	50	1/8"	60	33	125			135			-	-	-	-		
DN15	40	1/8"	50.5	27	112	1/2"	15	124	68	27	118	70	19	1.5	20	2
	50	1/8"	60	33	125			135			128					
DN20	50	1/8"	60	33	132	3/4"	16	140	75	32	135	82	23	1.5	24	2
DN25	50	1/8"	60	33	136	1"	17	150	90	40	150	100	29	1.5	30	2
	63	1/8"	75	41	162			172			175					
	90AL	1/8"	112	57	210			215			216					
	90	1/8"	106	55	211			216			218					
DN32	63	1/8"	75	41	174	1 1/4"	21	190	116	50	186	125	35	1.5	36	2
	90AL	1/8"	112	57	220			230			232					
	90	1/8"	106	55	223			235			232					
DN40	63	1/8"	75	41	175	1 1/2"	21	190	116	56	190	130	41	1.5	42	2
	90AL	1/8"	112	57	220			230			235					
	90	1/8"	106	55	223			235			235					
DN50	63	1/8"	75	41	183	2"	22	205	138	69	206	155	53	1.5	54	2
	90AL	1/8"	112	57	232			245			247					
	90	1/8"	106	55	232			250			250					
	125AL	1/4"	170	85	300			305			307					
DN65	90AL	1/8"	112	57	262	2 1/2"	26	282	178	85	320	270	70	2	-	-
	90	1/8"	106	55	265			285			325				-	-
	125AL	1/4"	170	85	315			327			365				-	-
DN65方口	90AL	1/8"	112	57	280	2 1/2"	26	270	178	85	315	270	70	2	-	-
	90	1/8"	106	55	280			275			320				-	-
	125AL	1/4"	170	85	330			320			360				-	-
DN80方口	125AL	1/4"	170	85	355	3"	27	340	210	100	360	284	85	2	-	-
DN80	125AL	1/4"	170	85	327			380			370				284	85

Flange Ends Angle Seat Valve

法兰式气控角座阀



100 系列 100 Series

法兰标准: DIN2576(JB/T82.1);可根据客户要求定制ISO/JIS等标准
 Flange specification: DIN2576(JB/T82.1);ISO/JIS is also available

■ 外形尺寸 Dimensions

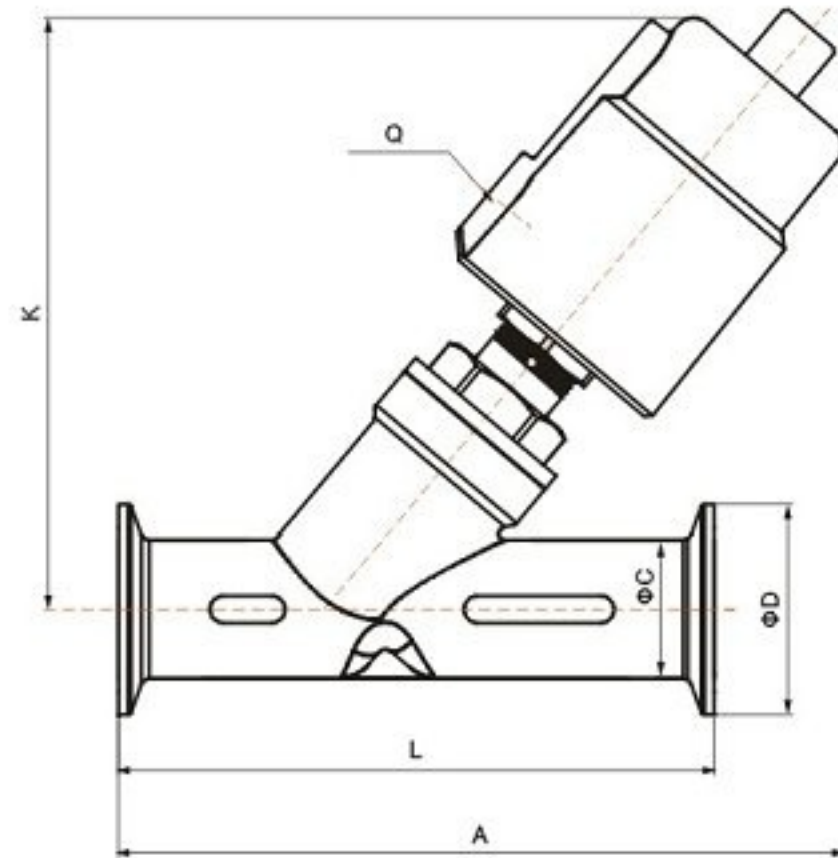
规格 size	执行器 actuator (mm)	Q	A	B	L	C	H	ΦE	n-ΦF	ΦM	ΦN	ΦP	α
DN15	40	G1/8	135	125	130	2	14	65	4-14	16	45	95	45°
	50		145	140									
DN20	50	G1/8	165	140	150	2	14	75	4-14	19	56	105	45°
DN25	50	G1/8	170	145	160	2	14	85	4-14	26	65	115	45°
	63		190	175									
DN32	63	G1/8	190	188	180	2	16	100	4-18	31	78	140	45°
	90		230	235									
	90AL		225	234									
DN40	63	G1/8	206	190	200	3	16	110	4-18	38	84	150	45°
	90		250	240									
	90AL		244	235									
DN50	63	G1/8	235	195	230	3	16	125	4-18	49	100	165	45°
	90		277	245									
	90AL		275	245									
	125AL	G1/4	330	310									
DN65方口	90	G1/8	330	280	290	3	18	145	4-18	66	120	185	45°
	90AL		325	280									
	125AL	G1/4	375	330									
DN80方口	125AL	G1/4	380	355	310	3	20	160	8-18	78	135	200	22.5°
DN100	125AL	G1/4	420	395	350	3	20	180	8-18	96	155	215	22.5°

Tri-clamp Ends Angle Seat Valve

快装式气控角座阀

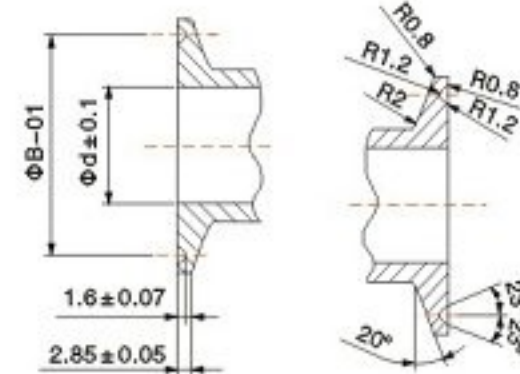


100 系列 100 Series



卡箍标准参考ISO2852-1993标准

快装接头标准: ISO2852-1993; 可根据客户要求订制;
Clamp Specification: ISO2852-1993, According to customer's requirements



■ 外形尺寸 Dimensions

规格 size	执行器 actuator (mm)	Q	A	K	L	C	B	Φd	ΦD
DN15	40	1/8"	130	115	80	19	27.5	15	34
	50	1/8"	140	126					
DN20	50	1/8"	148	126	102	25	43.5	21	50.5
DN25	50	1/8"	165	140	130	32	43.5	27	50.5
	63	1/8"	188	166					
DN32	63	1/8"	200	174	146	37	43.5	31	50.5
	90	1/8"	245	223					
	90AL	1/8"	242	222					
DN40	63	1/8"	210	175	160	40	56.5	33	64
	90	1/8"	255	223					
	90AL	1/8"	254	222					
DN50	63	1/8"	221	185	175	53	56.5	45	64
	90	1/8"	265	235					
	90AL	1/8"	265	232					
	125AL	1/4"	325	296					
DN65方口	90	1/8"	325	280	278	75	83.5	66	91
	90AL	1/8"	320	280					
	125AL	1/4"	360	330					
DN80方口	125AL	1/4"	360	352	290	89	97	78	106

卡箍标准参考ISO2852-1993标准

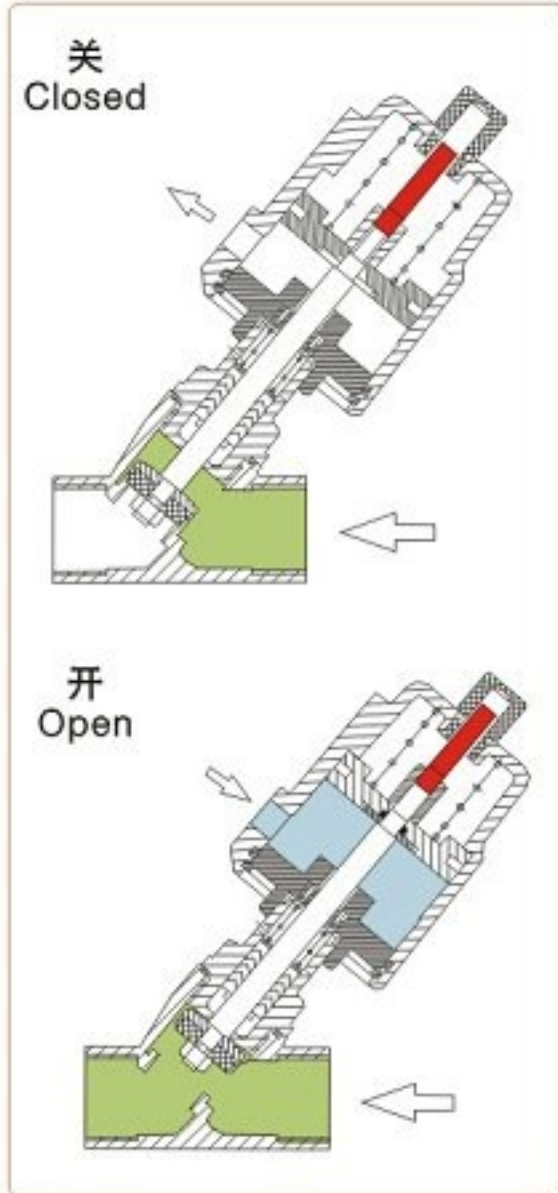
Pressure Data Sheet

管道 & 控制压力参数表



■ 单作用常闭阀——阀座上流 Single Acting, Normally Closed (NC)-Enter Above Seat

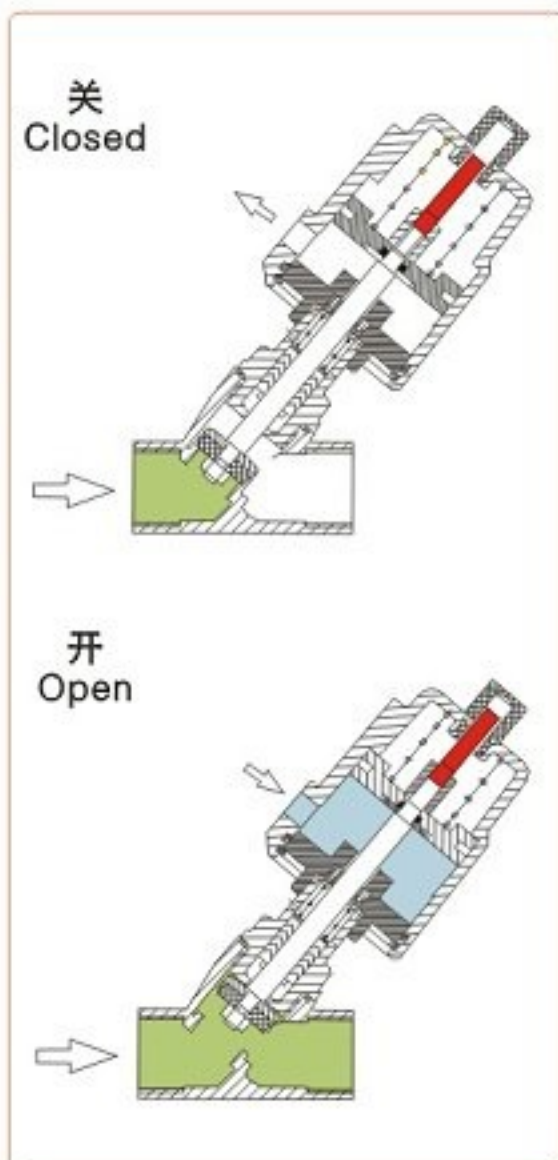
适用于可压缩性介质，例如气体，水蒸汽等；以及压力较低的液体介质。
suitable for condensable media, such as air, steam; and low pressure liquid media.



规格 Size	接口 Thread end	内孔 Orifice (mm)	流量值 Kv(m ³ /h)	执行器 Actuator (mm)	压差范围 ΔP(MPa)	控制压力 Control pressure (MPa)
DN10	G3/8"	13	3.8	40	0-1.6	0.3-0.45
				50	0-1.6	0.3-0.35
DN15	G1/2"	13	4.7	40	0-1.6	0.3-0.45
				50	0-1.6	0.3-0.35
DN20	G3/4"	18	9.5	50	0-1.6	0.3-0.4
DN25	G1"	24	18.1	50	0-1.6	0.3-0.45
				63	0-1.6	0.3-0.35
				90	0-1.6	0.2-0.25
DN32	G1-1/4"	31	23.1	63	0-1.6	0.3-0.55
				90	0-1.6	0.2-0.35
DN40	G1-1/2"	35	32.9	63	0-1.6	0.3-0.65
				90	0-1.6	0.2-0.4
DN50	G2"	45	52.8	63	0-0.9	0.3-0.7
				90	0-1.6	0.2-0.45
				125	0-1.6	0.2-0.3
DN65	G2-1/2"	61	82.6	90	0-1.0	0.2-0.6
				125	0-1.6	0.2-0.4
DN80	G3"	80	127	125	0-1.2	0.2-0.7

■ 单作用常闭阀——阀座下流（防水锤） Single Acting, Normally Closed (NC)-Enter Below Seat (No Water-hammer)

适用于防水锤管道，可承受一定压差。
Flow come from below seat, avoid water hammer.



规格 Size	接口 Thread end	内孔 Orifice (mm)	流量值 Kv(m ³ /h)	执行器 Actuator (mm)	压差范围 ΔP(MPa)	控制压力 Control pressure (MPa)
DN10	G3/8"	13	3.8	40	0-1.3	0.4
				50	0-1.4	0.45
DN15	G1/2"	13	4.7	40	0-1.3	0.4
				50	0-1.4	0.45
DN20	G3/4"	18	9.5	50	0-1.4	0.45
DN25	G1"	24	18.1	50	0-0.8	0.45
				90	0-1.4	0.35
DN32	G1-1/4"	31	23.1	63	0-0.6	0.5
				90	0-1.6	0.6
DN40	G1-1/2"	35	32.9	63	0-0.5	0.5
				90	0-1.6	0.6
DN50	G2"	45	52.8	63	0-0.3	0.5
				90	0-1.0	0.6
				125	0-1.6	0.55
DN65	G2-1/2"	61	82.6	90	0-0.6	0.6
				125	0-0.9	0.55
DN80	G3"	80	127	125	0-0.5	0.55
DN100	G4"	90	143	125	0-0.25	0.55

Pressure Data Sheet

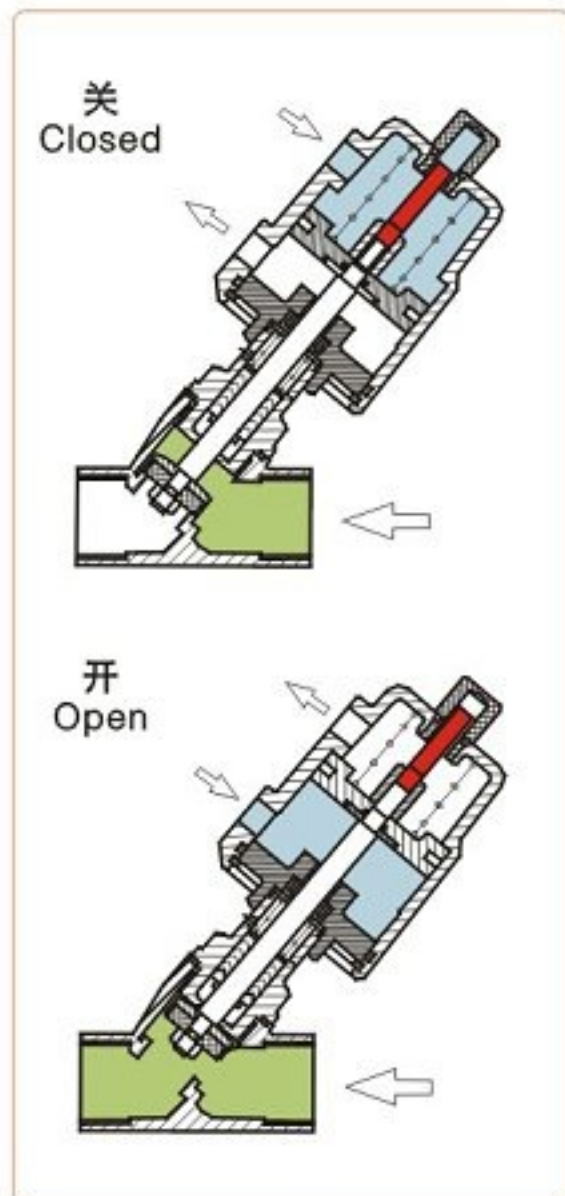
管道 & 控制压力参数表



100 系列 100 Series

■ 双作用常闭阀——阀座上流 Double Acting, Normally Closed (NC)-Enter Above Seat

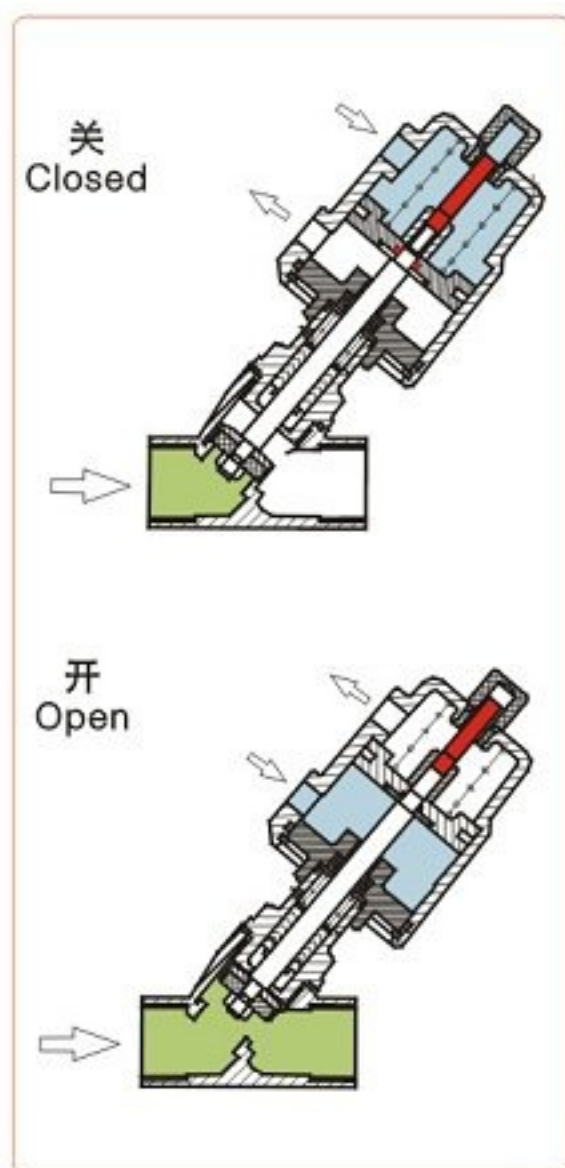
性能可靠, 可承受较大压差: 如遇紧急情况, 阀门可自动关闭。
suitable for higher ΔP ; valve could be closed if there is emergency.



规格 Size	接口 Thread end	内孔 Orifice (mm)	流量值 Kv(m ³ /h)	执行器 Actuator (mm)	压差范围 ΔP (MPa)	控制压力 Control pressure (MPa)
DN10	G3/8"	13	3.8	40	0-1.6	0.3-0.45
				50	0-1.6	0.3-0.35
DN15	G1/2"	13	4.7	40	0-1.6	0.3-0.45
				50	0-1.6	0.3-0.35
DN20	G3/4"	18	9.5	50	0-1.6	0.3-0.4
DN25	G1"	24	18.1	50	0-1.6	0.3-0.45
				63	0-1.6	0.3-0.35
				90	0-1.6	0.2-0.25
DN32	G1-1/4"	31	23.1	63	0-1.6	0.3-0.55
				90	0-1.6	0.2-0.35
DN40	G1-1/2"	35	32.9	63	0-1.6	0.3-0.65
				90	0-1.6	0.2-0.4
DN50	G2"	45	52.8	63	0-0.9	0.3-0.7
				90	0-1.6	0.2-0.45
				125	0-1.6	0.2-0.3
DN65	G2-1/2"	61	82.6	90	0.2-0.6	0-1.6
				125	0.2-0.4	0-1.6
DN80	G3"	80	127	125	0.2-0.7	0-1.6

■ 双作用常闭阀——阀座下流(防水锤) Double Acting, Normally Closed (NC)-Enter Below Seat (No Water-hammer)

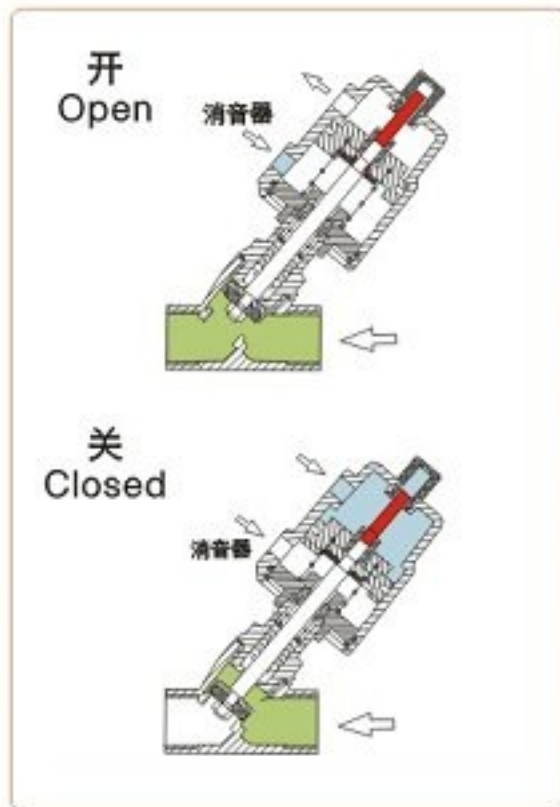
适用于要求高的防水锤管道, 可承受较大压差。
Flow come from below seat, avoid water hammer, suitable for higher ΔP .



规格 Size	接口 Thread end	内孔 Orifice (mm)	流量值 Kv(m ³ /h)	执行器 Actuator (mm)	压差范围 ΔP (MPa)	控制压力 Control pressure (MPa)
DN10	G3/8"	13	3.8	40	0-1.6	≥ 0.3
				50	0-1.6	≥ 0.3
DN15	G1/2"	13	4.7	40	0-1.6	≥ 0.3
				50	0-1.6	≥ 0.3
DN20	G3/4"	18	9.5	50	0-1.6	≥ 0.3
DN25	G1"	24	18.1	50	0-1.3	0.3-0.6
				63	0-1.6	0.3-0.4
				90	0-1.6	0.2-0.3
DN32	G1-1/4"	31	23.1	63	0-1.6	0.3-0.6
				90	0-1.6	0.2-0.4
DN40	G1-1/2"	35	32.9	63	0-1.6	0.3-0.7
				90	0-1.6	0.2-0.5
DN50	G2"	45	52.8	63	0-0.8	0.3-0.75
				90	0-1.6	0.2-0.6
				125	0-1.6	0.2-0.4
DN65	G2-1/2"	61	82.6	90	0-1.1	0.2-0.7
				125	0-1.6	0.2-0.55
DN80	G3"	80	127	125	0-1.6	0.2-0.65
DN100	G4"	90	143	125	0-1.2	0.4-0.5

Pressure Data Sheet

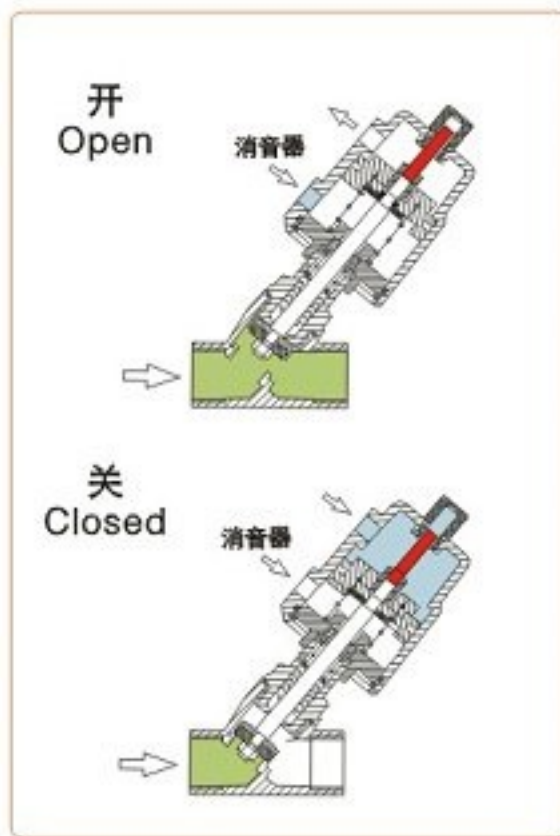
管道 & 控制压力参数表



■ 常开阀——阀座上流 Normally Open(NO)-Enter Above Seat

适用于要求阀门长时间开启的管道，取下消音器即为双作用常开阀。
Suitable for long time valve open demand; Taking off the silencer, valve could be changed to double acting-NO type.

规格 Size	接口 Thread end	内孔 Orifice (mm)	流量值 Kv(m ³ /h)	执行器 Actuator (mm)	压差范围 ΔP(MPa)	控制压力 Control pressure (MPa)
DN10	G3/8"	13	3.8	40	0-1.6	≥0.3
				50	0-1.6	≥0.3
DN15	G1/2"	13	4.7	40	0-1.6	≥0.3
				50	0-1.6	≥0.3
DN20	G3/4"	18	9.5	50	0-1.2	≥0.3
DN25	G1"	24	18.1	50	0-0.3	≥0.3
				63	0-1.6	≥0.45
DN32	G1-1/4"	31	23.1	63	0-1.4	≥0.45
DN40	G1-1/2"	35	32.9	63	0-1.4	≥0.45
DN50	G2"	45	52.8	63	0-0.6	≥0.45

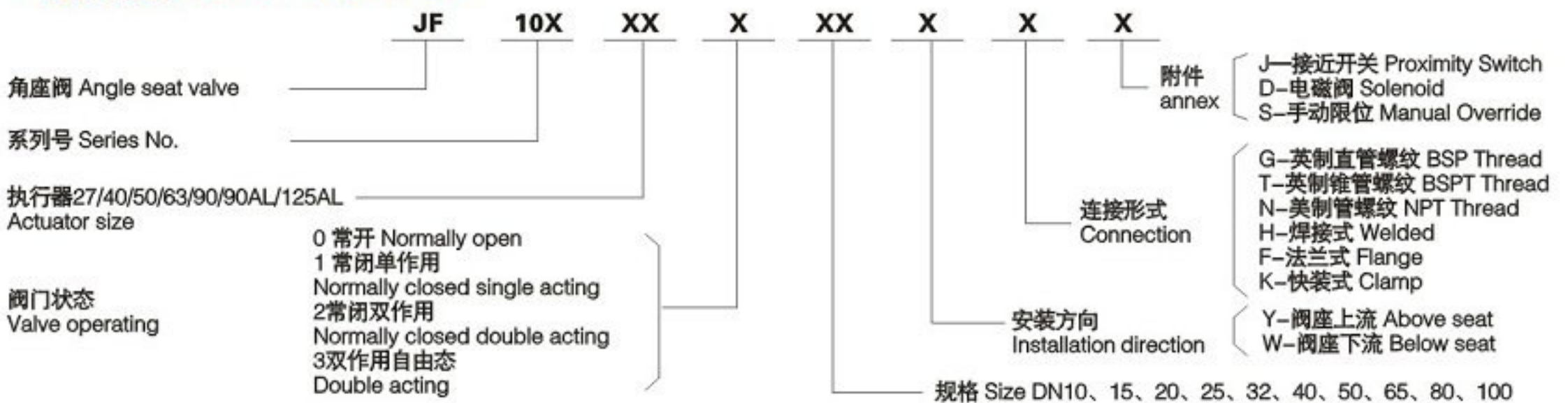


■ 常开阀——阀座下流 Normally Open(NO)-Enter Below Seat (No water-hammer)

适用于要求阀门长时间开启的管道，防水锤，取下消音器即为双作用常开阀。
Suitable for long time valve open demand; avoid water hammer. Taking off the silencer, valve could be changed to double acting-NO type.

规格 Size	接口 Thread end	内孔 Orifice (mm)	流量值 Kv(m ³ /h)	执行器 Actuator (mm)	压差范围 ΔP(MPa)	控制压力 Control pressure (MPa)
DN10	G3/8"	13	3.8	40	0-1.6	0.2-0.5
				50	0-1.6	0.2-0.4
DN15	G1/2"	13	4.7	40	0-1.6	0.2-0.5
				50	0-1.6	0.2-0.4
DN20	G3/4"	18	9.5	50	0-1.6	0.2-0.6
DN25	G1"	24	18.1	50	0-1.3	0.2-0.6
				63	0-1.6	0.25-0.5
DN32	G1-1/4"	31	23.1	63	0-1.3	0.25-0.6
DN40	G1-1/2"	35	32.9	63	0-0.7	0.25-0.6
				90	0-1.6	0.3-0.35
DN50	G2"	45	52.8	63	0-0.5	0.25-0.6
				90	0-1.2	0.25-0.6
DN65	G2.5"	61	82.6	90	0-0.75	0.25-0.5
				125	0-1.4	0.25-0.7
DN80	G3"	80	127	125	0-1.2	0.25-0.7

■ 订货说明 Order Instruction



示例: JF 100 50 1 25 Y G
表示角座阀 系列号100执行器缸径50 常闭单作用 规格DN25 安装方向阀座上流 连接形式为英制管螺纹
Example: JF 100 50 1 25 Y G means: Angle seat valve, Series 100, Actuator Φ50, Normally close single acting, Dn25 enter above seat, BSP thread.

Angle Seat Valve Accessory 角座阀附件

ESG[®]

100 系列 100 Series



磁感应开关系列
Proximity Switch



电磁阀系列
Solenoid Valve



手动操作行程限位系列
Manual Override for Stroke Actuator

■ 磁感应开关系列 Proximity Switch

适用于所有口径角座阀，用来检测阀门开关状态，反馈阀门启闭信号。
Switch can be installed on every actuator, indicating the valve on-off with signal.

■ 技术参数 Technical Data

电压: 10-30V DC
防护等级: IP67
检测距离: 3mm ± 10% (可另选)
环境温度: -25~70°C
材料: 壳体: 黄铜镀镍
检测面: ABS
Technical Data
Voltage: 10-30VDC
Protection class: IP67
Detection distance: 3mm ± 10%
Environmental temperature: -25~70°C
Material: shell: brass nickel plating, detection: ABS

■ 电磁阀系列 Solenoid Valve

适用于所有口径角座阀，可接2位5通或2位3通电磁阀。

■ 技术参数 Technical Data

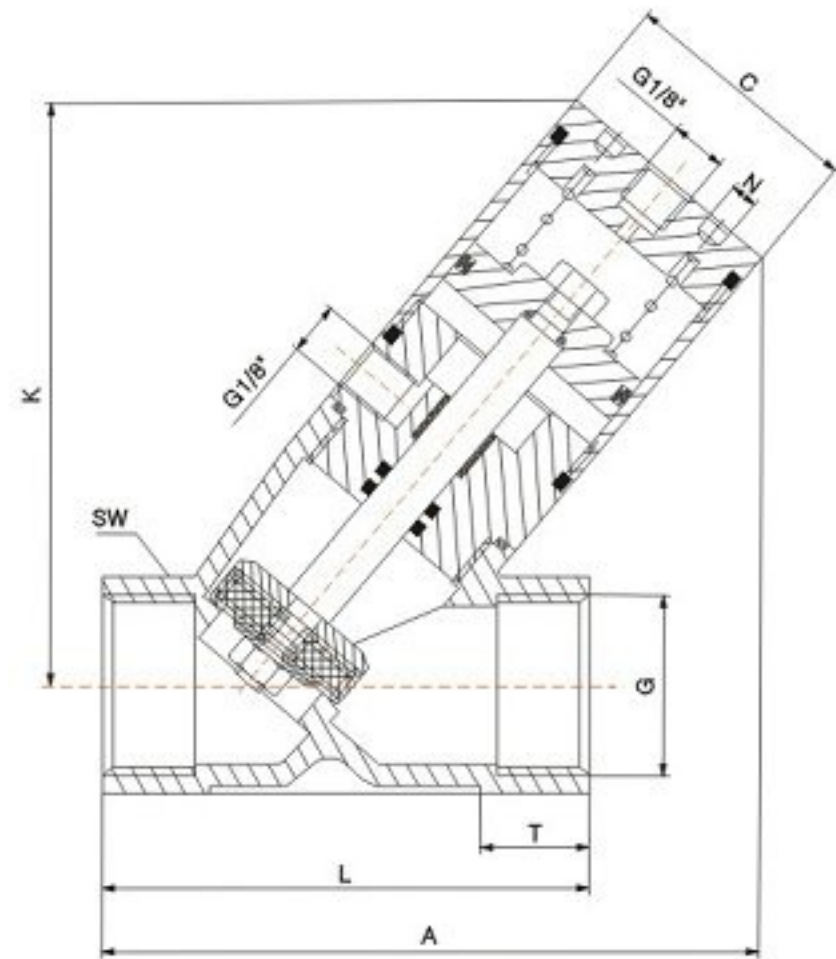
适用流体: 空气 (经40微米滤芯过滤)
接口: G1/8"
使用电源: 24VDC或220VAC
使用压力: 0.15-0.8MPa
工作温度: -5~50°C
防护等级: IP65
Connection: G1/8"
Power: 24VDC or 220VAC
Air pressure: 0.15-0.8MPa
Working temperature: -5~50°C
Protection class: IP65

■ 手动操作行程限位系列 Manual Override for Stroke Actuator

可调节活塞开度，限制行程，调节阀门流量，适用于所有型号的角座阀，另外在无控制气源、机械（电磁）故障时还可用来紧急制动。
Can adjust piston stroke, restrictions, regulating valves, applicable to all types traffic block valves, another horn of air, without control in mechanical(electromagnetic) failure can also be used to emergency braking.

Angle Seat Valve - Economy Type

101系列角座阀-经济型



■ 阀门特点 Function

阀门执行器采用轻巧型设计，外形精美，结构紧凑，性能优良。该阀现有常闭、常开、自由态3种作用形式。
Actuator introduces lightweight design, fine shape, tight structure and with excellent features. There are three action model: normally open, normally closed and double acting.

■ 应用范围 Scope of Application

广泛应用在食品、包装、石化、冶金、喷涂、车辆、印染等机械设备上。
Widely used in food, packaging, petrochemical, metallurgical, spraying, vehicles, printing and dyeing machinery equipment.

■ 技术参数 Technical Data

管道压力 Fluid pressure	Max 1.6MPa(232psi)
控制压力 Control Pressure	0.3-0.8MPa(43.5-116psi)
控制介质 Control Fluid	中性气体或空气 Neutral gas, Air
阀体材料 Body Material	CF8M/CF8
密封材料 Seals Material	PTFE
适用介质 Applicable Fluid	水, 油, 气, 纸浆状等液态 Water, Oil, Gas, Pulp and other liquid
介质温度 Fluid Temperature	-10°C—+120°C
环境温度 Ambient Temperature	-10°C—+80°C
控制形式 Control Type	双作用常闭, 双作用自由态 Double acting
连接形式 Connection	螺纹式, 焊接式, 法兰式, 快装式 Threaded (BSP, BSPT, NPT), Welded, Flanged, Tri-clamp

■ 外形尺寸 Dimensions

规格size	执行器 Actuator	G	N	K	C	T	A	L	SW
DN15	32	1/2"	5	93	37	15	105	68	27
DN20	32	3/4"	5	96	37	16	110	75	32
DN25	40	1"	5	108	45	17	22	90	40
DN32	50	1 1/4"	5	154	55	21	68	116	50
DN40	50	1 1/2"	5	154	55	21	68	116	56
DN50	63	2"	5	154	69	22	78	138	69

Filling Valve ($\Phi 27$ cylinder)

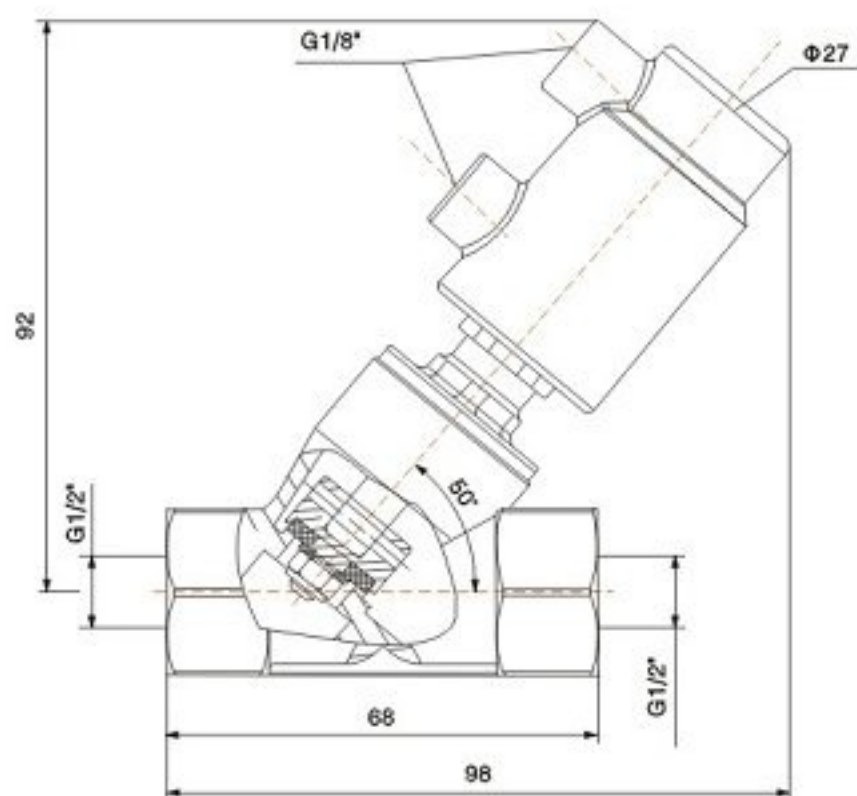
101系列灌装阀 ($\Phi 27$ 气缸)

ESG[®]

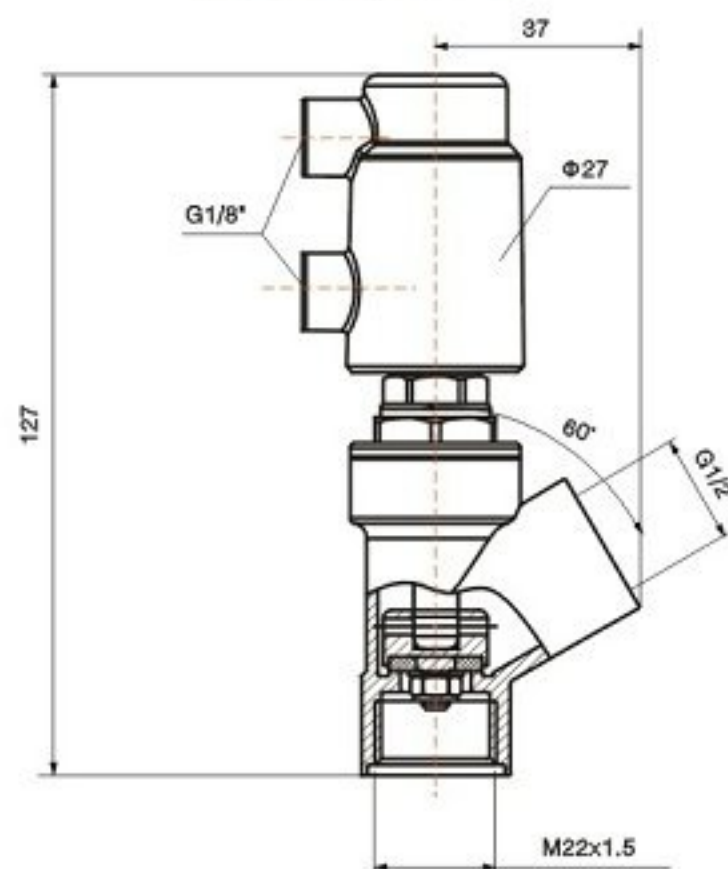
101 系列 101 Series



101-A , DN15



101-B , DN15



■ 特点 Advantages

本阀门采用精致型设计，各部件均采用不锈钢制造，外观精美，部件轻巧，结构紧凑，阀芯部位采用活动式结构，可自行校正，密封性能优良。
Compact design, could be assembled in a small space Movable seat, which have perfect sealing.

■ 技术参数

控制形式：双作用自由态
 双作用自由态：管道压力0-0.7MPa,控制压力：0.3-0.35MPa
 控制介质：经过滤的压缩空气
 阀体材质：CF8或CF8M
 密封材料：PTFE
 介质温度：-10℃-+120℃
 连接形式：螺纹式

■ Technical Data

Double acting(no spring): Fluid pressure:0-7bar,
 Control pressure:3-3.5bar
 Body:CF8 orCF8M
 Sealing Material: PTFE
 Fluid Temperature: -10-+120℃
 Connection: Thread(BSP,BSPT,NPT)

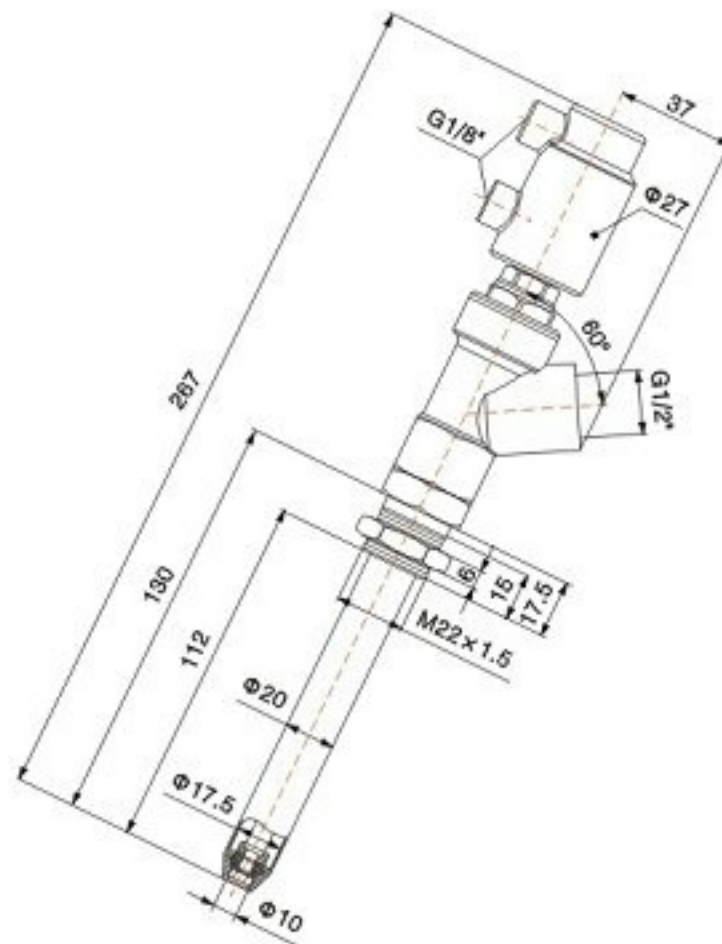
Filling Valve ($\Phi 27$ cylinder)

101系列灌装阀 ($\Phi 27$ 气缸)

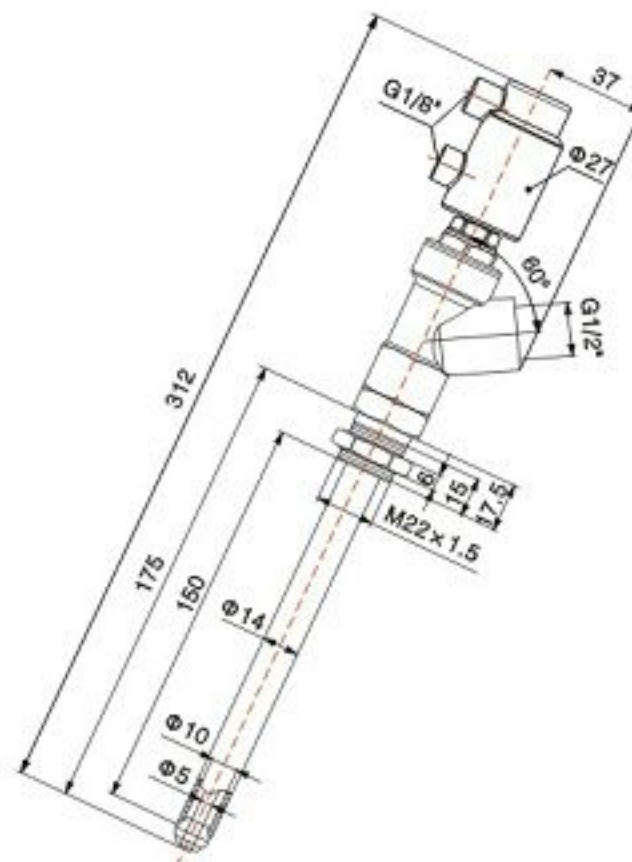
ESG®

101 系列 101 Series

101-C , DN15



101-D , DN15



■ 特点 Advantages

广泛应用于罐装机械，尤其适用于粘稠、膏状及容易起泡沫的液体灌装。
 灌装速度快，精准稳定。精致小巧，便于排管布局
 灌装头底部特殊的密封设计，可以实现灌装无滴漏。
 灌装头底部倒角结构，具有导向定位作用，可下潜灌装。
 This valve is widely used on drinks filling machinery. The long filling gun is specially designed for high viscosity fluid.
 Fast filling, accurate and steady performance.
 Compact design, could be assembled in a small space.
 No dripping during working, because of special sealing design

■ 技术参数 Technical Data

双作用自由态：管道压力0-0.7MPa，控制压力：0.35-0.45MPa
 阀体材质：CF8或CF8M
 密封材料：PTFE
 介质温度：-10℃--+120℃
 Double acting(no spring): Fluid pressure:0-7bar,
 Control pressure: 3.5-4.5bar
 Body: CF8 or CF8M
 Sealing Material: PTFE
 Fluid temperature: -10--+120℃

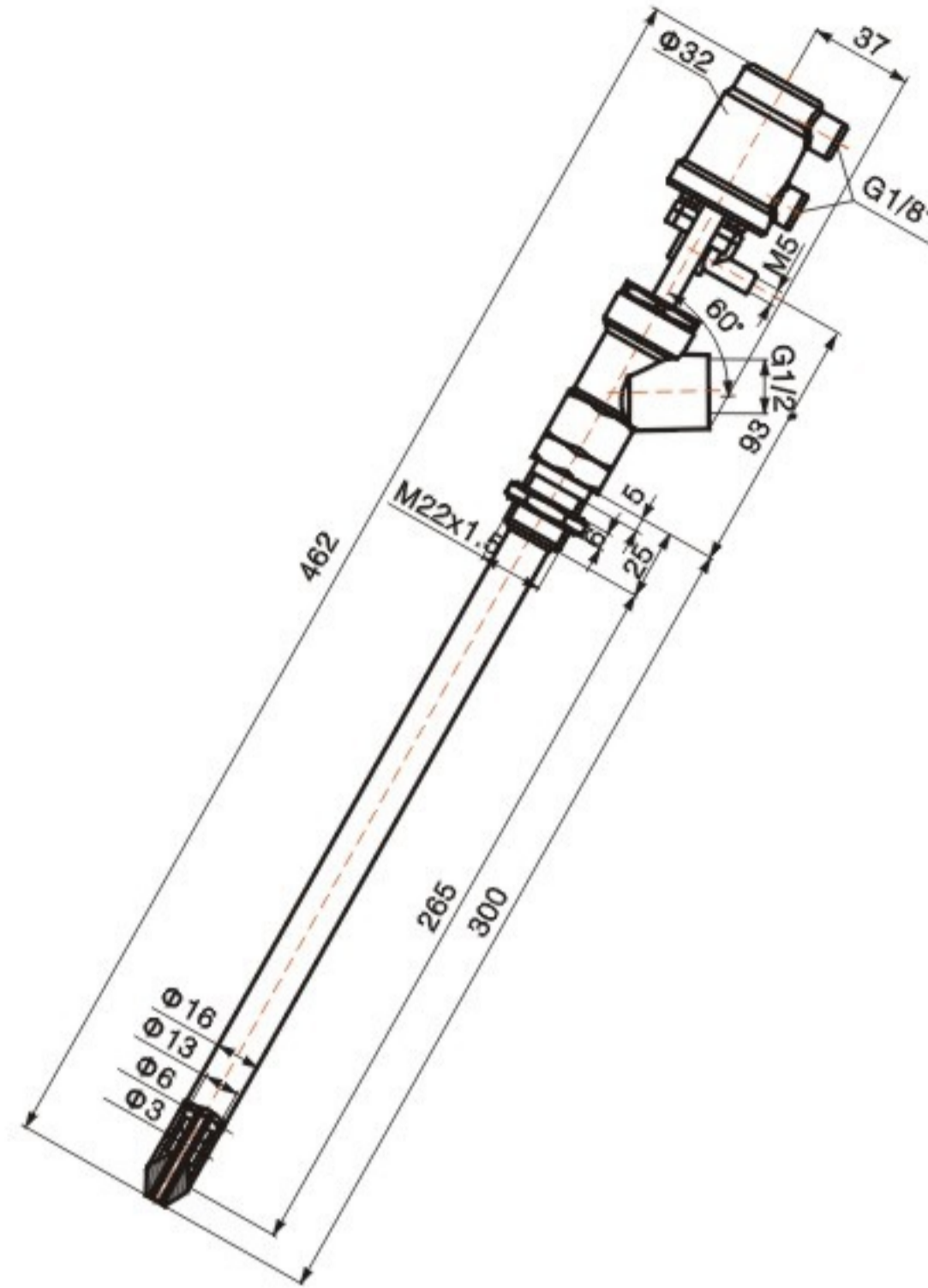
Filling Valve ($\Phi 32$ cylinder)

101系列灌装阀 ($\Phi 32$ 气缸)



101 系列 101 Series

101-E , DN15



■ 特点 Advantages

精致小巧，便于布管，广泛应用于灌装机械，如：酱油、醋容易起泡沫的液体。

可下潜灌装，避免了泡沫的产生，灌装速度快，精准稳定。

超强回吸功能，可及时回收沿管壁滑落的液体。

采用PTFE密封，经久耐磨、洁净卫生，符合食品行业的要求。

灌装头底部密封采用特殊的固定形式，可实现方便拆换密封配件以及更换不同管径的灌装管。

This valve is widely used on drinks filling machinery, The long filling gun is specially designed for high viscosity fluid.

Fast filling, accurate and steady performance

Compact design, could be assembled in a small space

No dripping during working, because of special sealing design

The special M5 shift back feature what will avoid the fluid dropping.

■ 技术参数 Technical Data

双作用自由态/双作用常闭：管道压力0-0.7MPa, 控制压力：0.3-0.35MPa

阀体材质：CF8或CF8M

密封材料：PTFE

介质温度：-10℃--+120℃

Double acting (no spring)/Double acting normally closed:

Fluid pressure: 0-7bar, control pressure: 3-3.5bar

Body: CF8 or CF8M

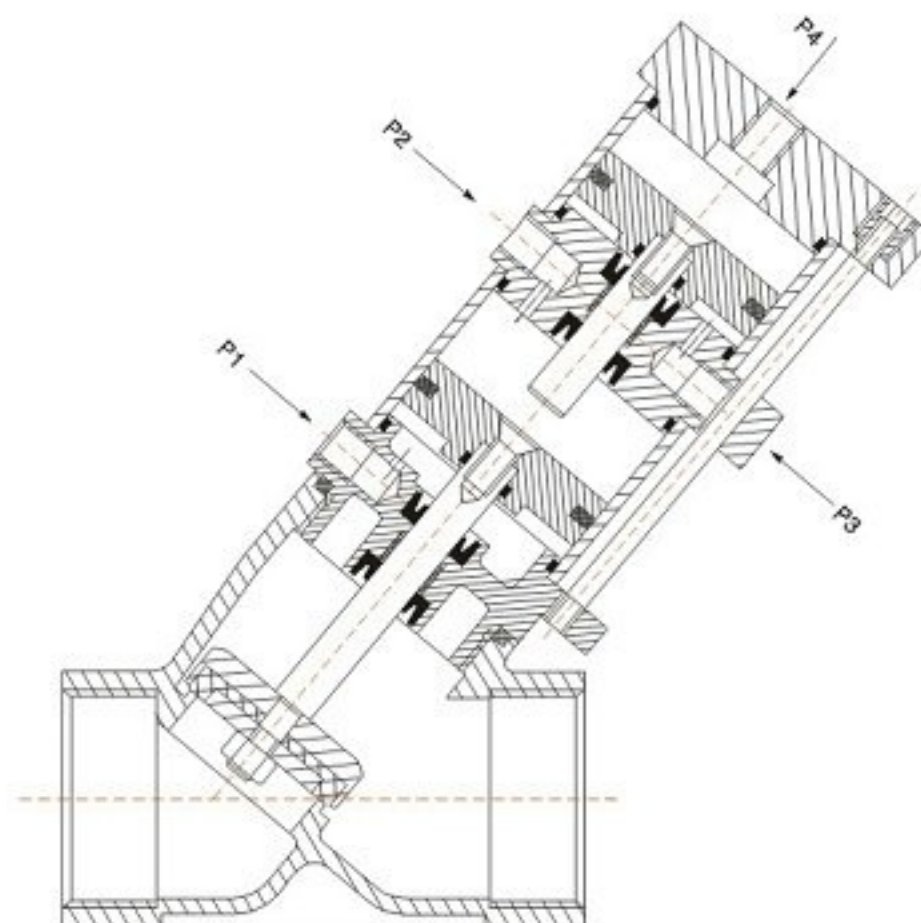
Sealing Material: PTFE

Fluid temperature: -10--+120℃

102 Series Angle Seat Valve

102系列气控角座阀

ESG®



102 系列 102 Series

■ 阀门特点 Function

该阀为双位置流量可调节式，当P2孔进气时，阀门关闭；当P1、P3孔进气时，阀门全开；当P4、P1孔进气时，阀门开启一半。
This valve is double-position flow adjustable type, which could open at 50% and 100%. When air come into the port P2, valve is closed. When the air come into the port P1 and P3, Valve is 100% opened. When air come into port P4, valve is 50% opened.

■ 注 Caution

在使用过程中P3、P4孔的进气压力必须比P1、P2孔的气压高0.1MPa以上，这样阀芯才能起平衡作用。
During working, make sure the inlet Air pressure of P3 and P4 is 0.1Mpa higher than P1andP2.Otherwise,the valve might not work well.

■ 技术参数 Technical Data

管道压力 Fluid Pressure	0-1.6MPa
控制压力 Control Pressure	0.3-0.8MPa
控制介质 Control Fluid	中性气体或空气 Neutral gas, Air
阀体材料 Body Material	CF8M/CF8
密封材料 Seals Material	PTFE
适用介质 Applicable Fluid	水、油、气、纸浆状等液体 Water,Oil,Gas,Pulp and other liquid.
介质温度 Fluid Temperature	-10℃—+120℃
环境温度 Ambient Temperature	-10℃—+80℃
连接形式 Connection	螺纹式，焊接式，法兰式，快装式 Threaded (BSP, BSPT, NPT), Welded, Flanged, Tri-clamp

注：规格大小可按客户要求定制加工。 Note:Could be ordered upon request.

Proportional Control Angle Seat Valve 气控调节阀



105/106 系列 105/106 Series



■ 工作原理 Function Principle

阀门定位器从控制器或控制系统接收 4~20mA 的电流信号，通过处理器转换成气信号，控制阀门开度，并与阀门调节锥共同实现阀门的快速精确流量调节。

Positioner could get 4~20mA electrical signal from controller or control system, through converter to changing into air signal to control valve open and close. Under the help of adjustable seat to make accurate regulation.

■ 特点 Feature

- 调节方便，操作简单；
- 运行稳定；
- 独特的调节锥设计，建立了阀门开闭行程和流量的线性变化关系，从而实现精确快速的流量调节功能；
- Convenient adjustment, simple operation;
- Strong vibration resistance, stable operation;
- The unique design, build the regulating valve cone and shut. Such proportion of linear flow or relations, so as to achieve the change; precise fast circuit-adjusting function;

■ 注意事项 Caution

- 安装时，如需拆卸阀体，请在安装完后再次调整零点；请勿倒置安装；
- 为确保精确调节，建议按照阀座下流方向安装；
- 请做好定位器的防水措施。
- If need to take off the Valve body during installing, please readjust the zero-point, Keep the positioner upright
- To ensure the exact adjustment, please install the valve for below seat direction
- Please make sure the water proof of the positioner.

阀体规格 Size	DN10-DN100	防护等级 Protection	IP66
连接形式 Connection	螺纹式、焊接式、法兰式、快装式 Threaded, welded, flanged, Tri-clamp	介质压力 Fluid Temperature	≤1.0MPa, 压差 ΔP ≤ 0.15MPa
介质温度 Fluid Temperature	-10~+180°C	气源压力 Air Pressure	0.3-0.5MPa
环境温度 Ambient Temperature	-10~+50°C (高温型可单独订购 Customization for high temperature)	控制电源 Control Pressure	4~20mA

Motor Control Angle Seat Valve 电控调节阀



■ 工作原理 Function Principle

电动执行器通过 4~20mA 或 0~10VDC 的电信号调节控制阀门开度，与阀门调节锥共同实现阀门的精确流量调节，并可实现手动调节控制。

Motor control actuator works depending on 4~20mA or 0~10VDC electrical signal to control valve's open or close. Under the help of adjustable seat motor control valve could make accurate regulation and also could make manual control.

■ 特点

- 调节方便，操作简单；
- 抗震性强，运行稳定，轻松实现阀门流量精确控制。

■ Feature

- Convenient adjustment, simple operation
- Strong vibration resistance, steady operation, easy flow of the realization of the valve Really control

■ 注意事项

- 安装时，如需拆卸阀体，请在安装完后再次调整零点；请勿倒置安装；
- 为确保精确调节，建议按照阀座下流方向安装；
- 请做好定位器的防水措施。

■ Caution

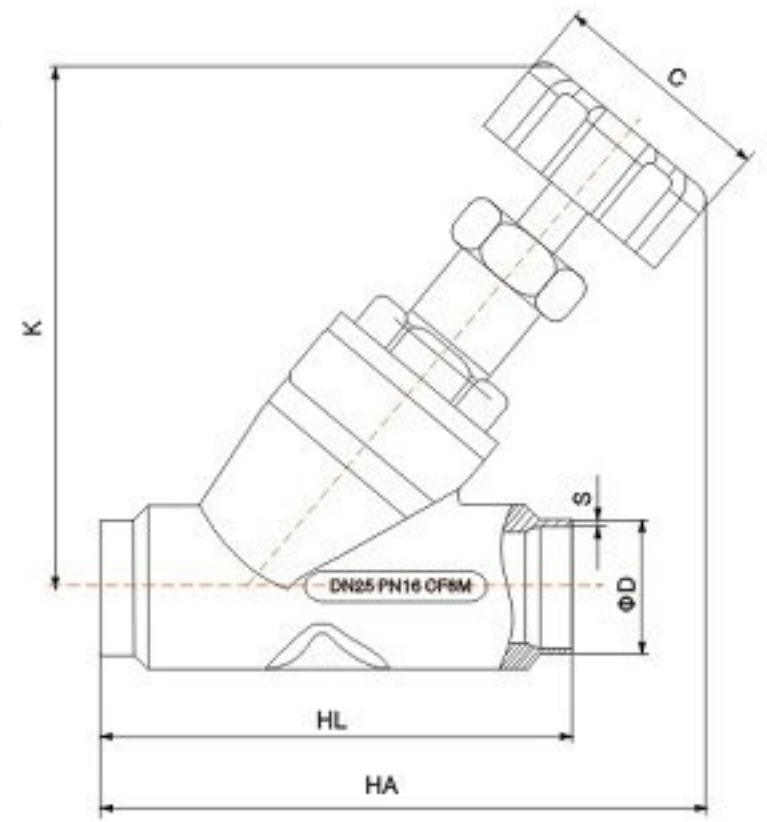
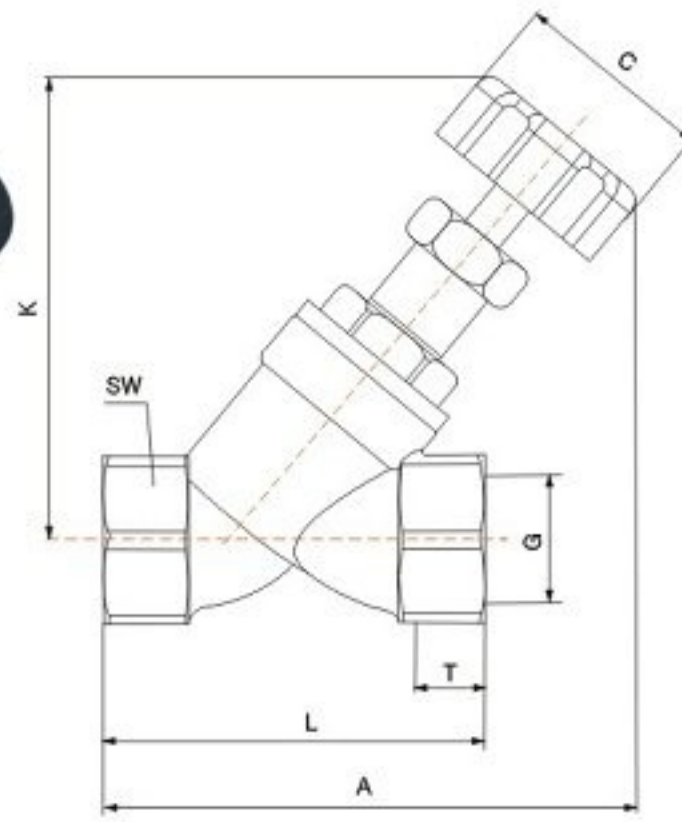
- If need to take off the Valve body during installing, Please readjust the zero-point, Keep the positioner Upright.
- To ensure the exact adjustment, please install the valve for below seat direction.
- Please make sure the water proof of the positioner.

■ 技术参数 Technical Data

阀体规格 Size	DN10-DN100	连接形式 Connection	螺纹式、焊接式、法兰式、快装式 Threaded, Welded, Flanged, Tri-clamp
驱动电源 Voltage	220V AV或24V AC	执行器 Actuator	GINICE 电动执行器 Motor control actuator
控制电源 Control Power	4~20mA或0~10V DC	防护等级 Protection	IP54

Y-Type Manual Angle Seat Valve

Y型手动角座阀



■ 技术参数 Technical Data

管道压力 Pipe Pressure	0-1.6MPa
阀体材质 Body Material	CF8M/CF8
阀芯密封 Valve Spool Seal	PTFE
阀体口径 Valve Size	DN10-DN65
适用介质 Applicable Medium	水、酒精、油类、染料、蒸汽、中性气体或液体、有机溶剂、弱酸或弱碱溶液 Water, Alcohol, Oil, Fuel, Steam, Neutral gas or liquid, Organic solvent, Acid and lye
介质温度 The Temperature of The Medium	-10—+200℃
介质量大粘度 Most Media Viscosity	600mm ² /s
连接形式 Connection Form	螺纹式, 焊接式, 法兰式, 快装式 Threaded (BSP, BSPT, NPT), Welded, Flanged, Tri-clamp

注：可加流量调节锥，实现手动流量调节。 Note: Adjustable seat is also available

■ 外形尺寸 Dimensions

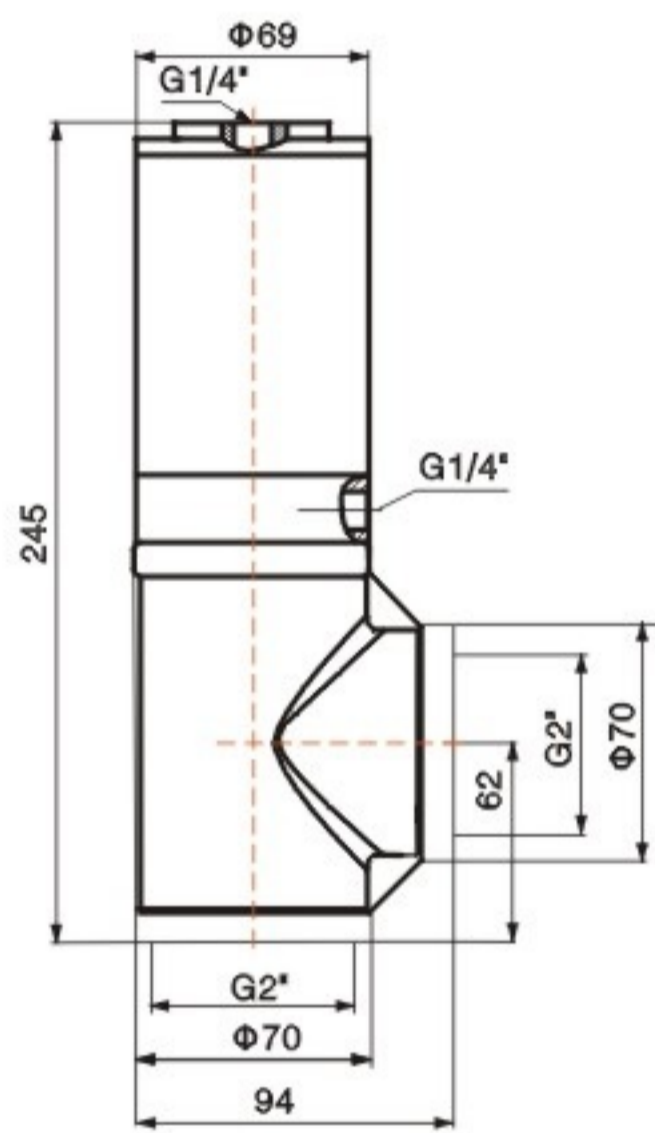
规格 Size	C	K	螺纹式 Threaded					焊接式 Welding type						
			G	T	A	L	SW	HA	HL	DIN11850-2		DIN11850-3		
										D	S	D	S	
DN10	65	111	3/8"	12	125	68	27	-	-	-	-	-	-	
DN15	65	111	1/2"	15	125	68	27	166	70	19	1.5	20	2	
DN20	65	118	3/4"	16	130	75	32	123	82	23	1.5	24	2	
DN25	65	130	1"	17	146	90	40	142	100	29	1.5	30	2	
DN32	65	144	1 1/4"	21	162	116	50	160	125	35	1.5	36	2	
DN40	65	144	1 1/2"	21	165	116	56	164	130	41	1.5	42	2	
DN50	65	150	2"	22	178	138	69	177	155	53	1.5	54	2	
DN65	92	196	2 1/2"	26	230	178	85	270	270	70	2	-	-	

107 系列 107 Series

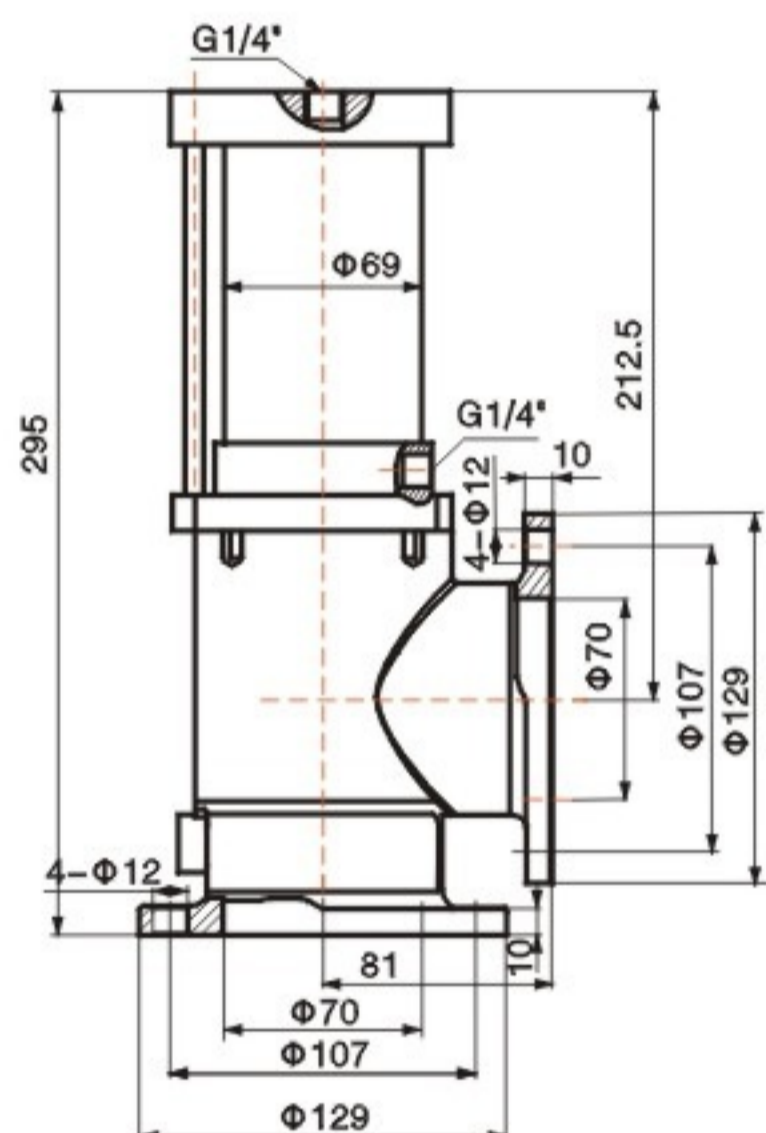
Drain Valve 排水阀

ESG[®]

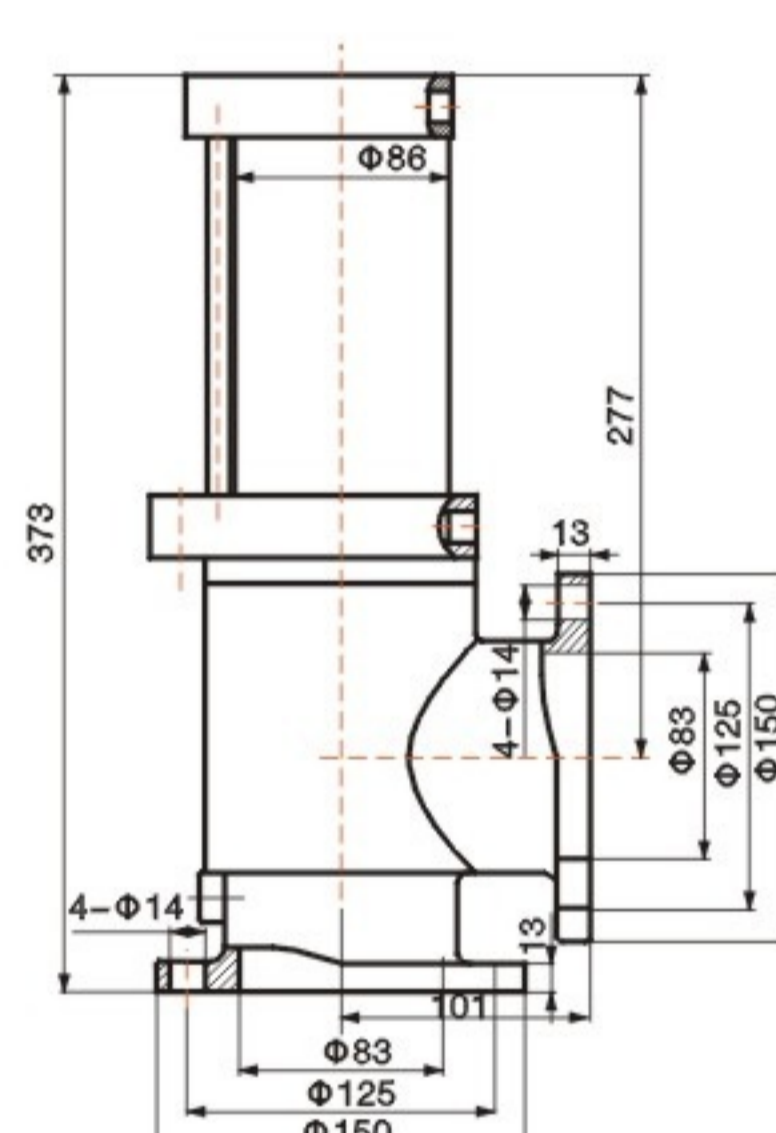
108 系列 108 Series



DN50



DN65



DN80

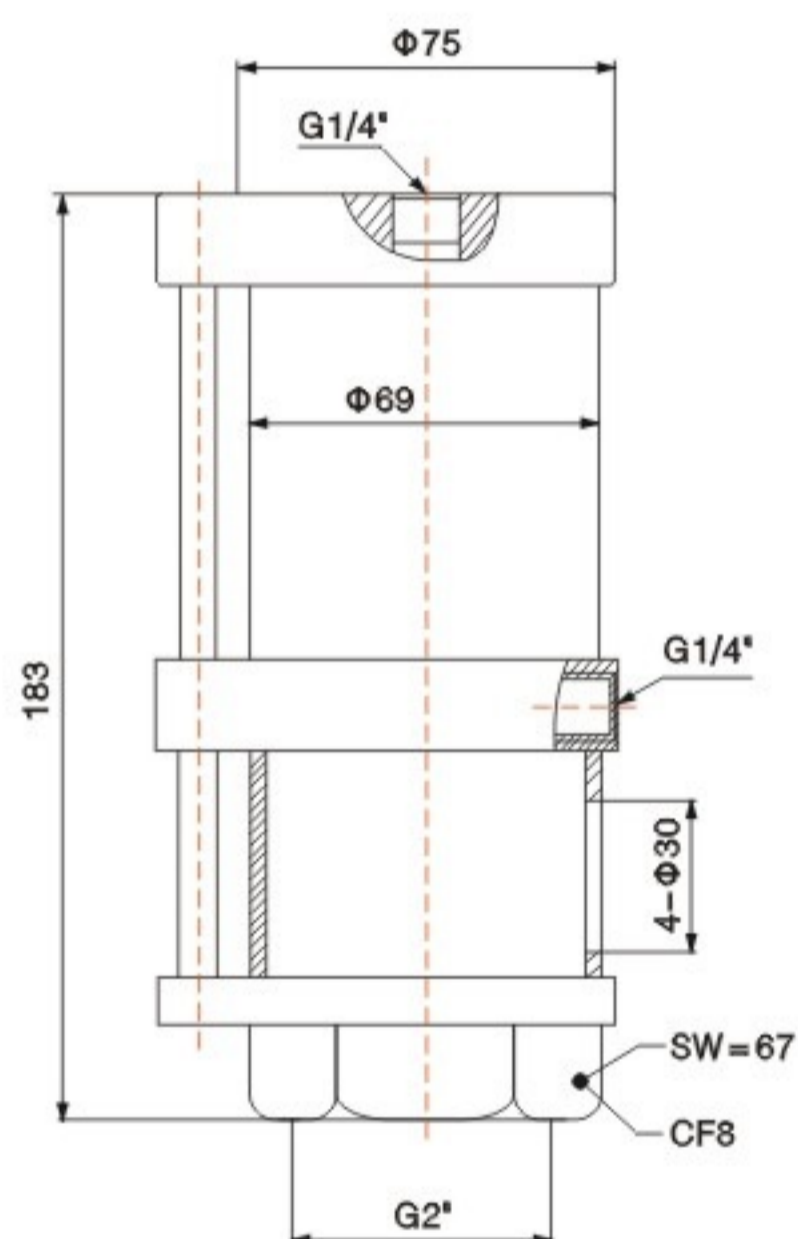
■ 技术参数 Technical Data

规格 Size	DN50: 螺纹式 Thread Type DN65, DN80: 法兰式 Flange Type
管道压力 Pipe Pressure	0-1.6MPa
控制压力 Control Pressure	0.3-0.8MPa
控制介质 Control Medium	中性气体或空气 Neutral gas, Air
阀体材料 Body Material	CF8
密封材料 Sealing Material	PTFE
适用介质 Applicable Medium	水、气、纸浆状等液体 Water, Gas, Pulp and other liquid
气缸尺寸 Cylinder Size	108Series:63mm,80mm
介质温度 Fluid Temperature	-10—+120℃
环境温度 Ambient Temperature	-10—+80℃
控制形式 Control Forms	双作用自由态 Double acting

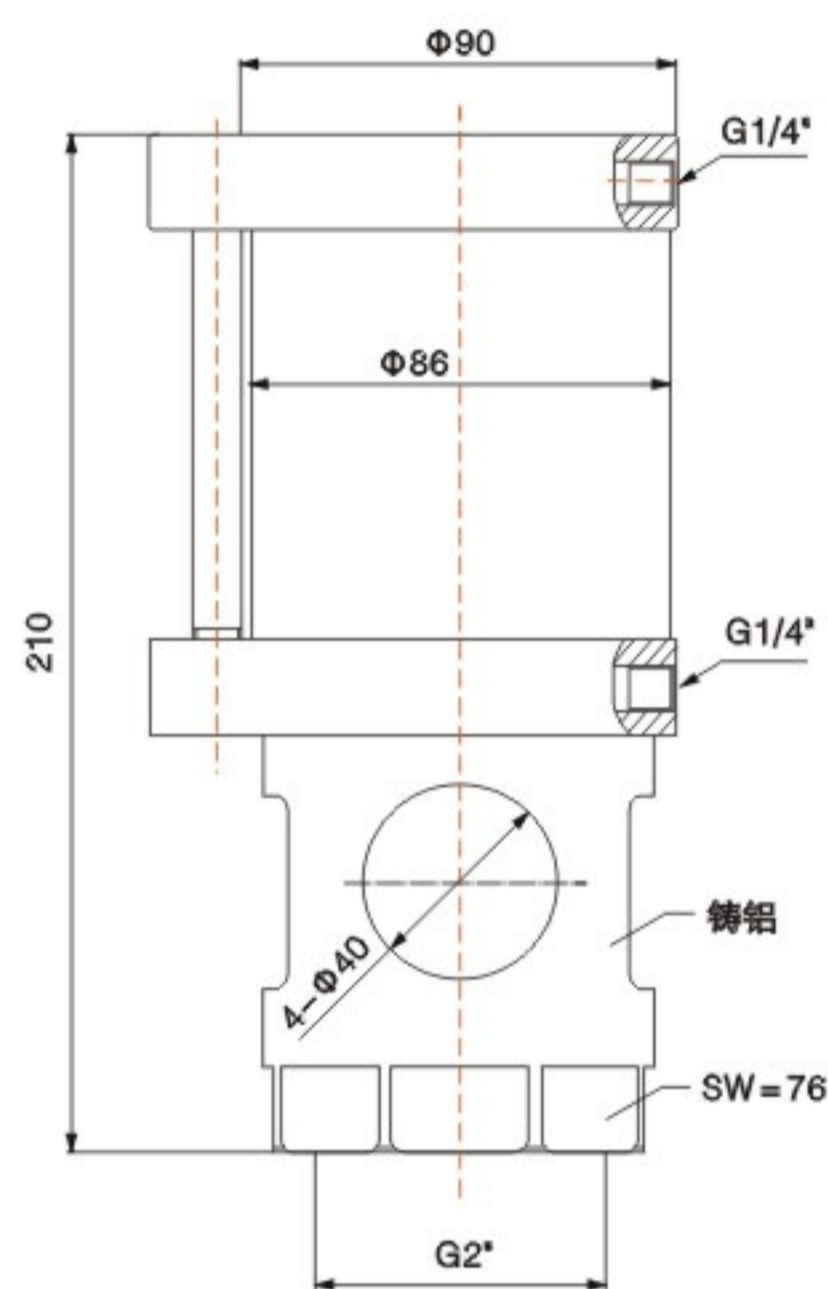
Exhaust Valve 排气阀/放空阀

ESG®

109 系列 109 Series



DN50-I



DN50-II

■ 技术参数 Technical Data

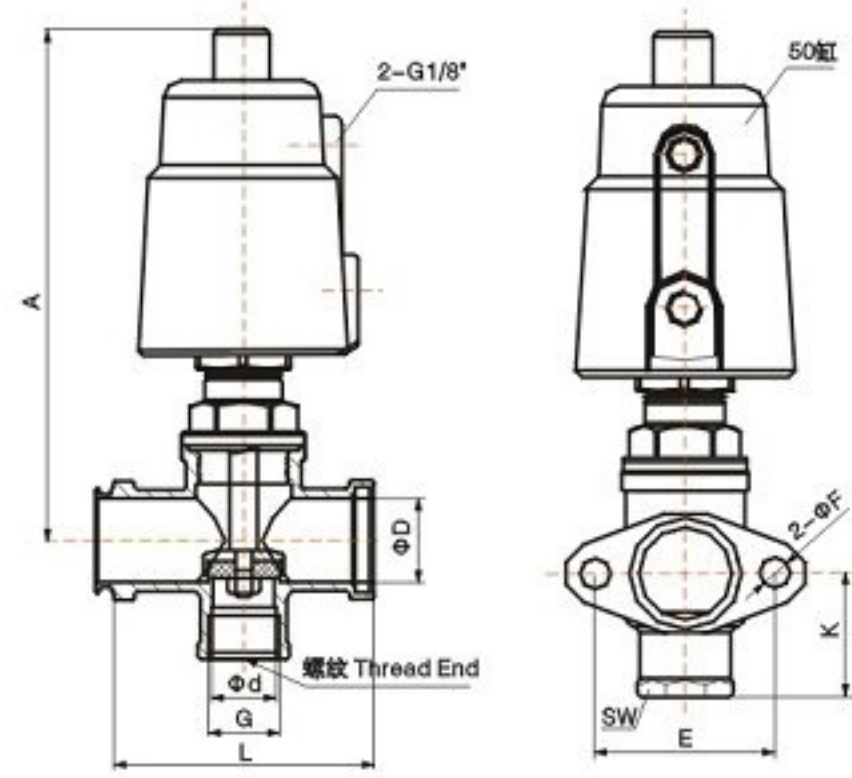
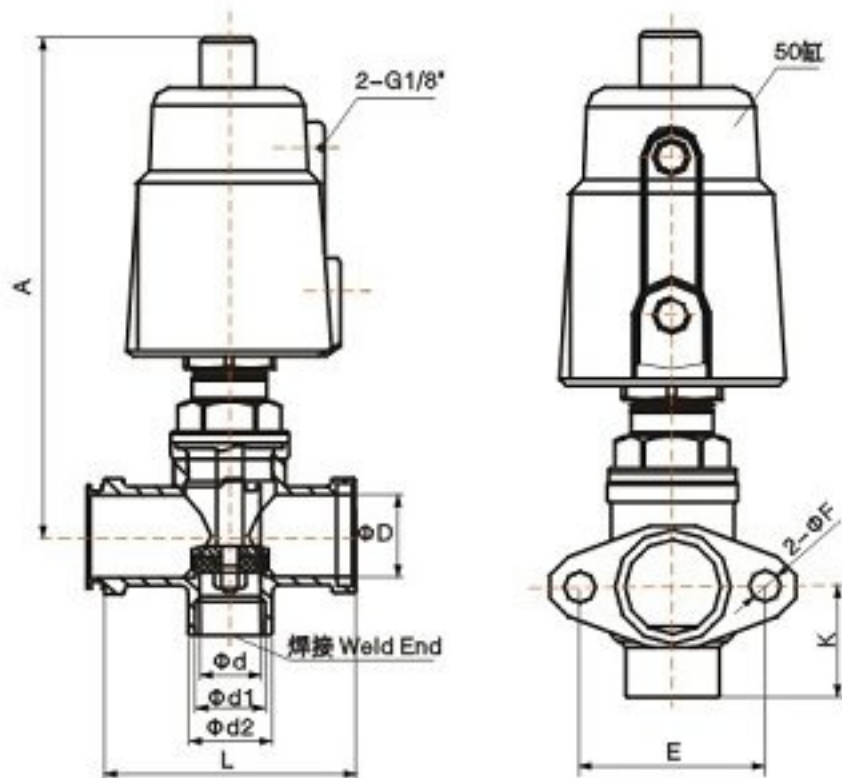
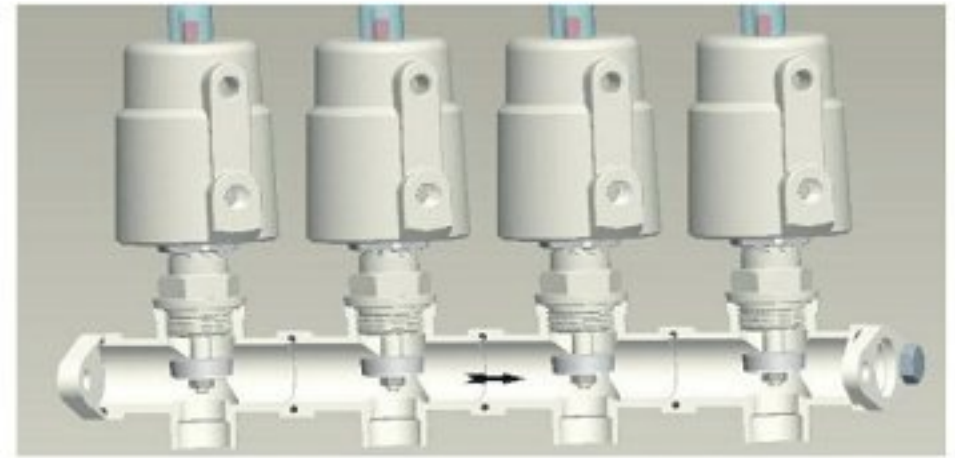
规格 Size	DN50: 螺纹式 Thread Type
管道压力 Pipe Pressure	0-1.6MPa
控制压力 Control Pressure	0.3-0.8MPa
控制介质 Control Medium	中性气体或空气 Neutral gas, Air
阀体材料 Body Material	CF8
密封材料 Sealing Material	PTFE
适用介质 Applicable Medium	水、气、纸浆状等液体 Water, Gas, Pulp and other liquid
气缸尺寸 Cylinder Size	109 Series: 63mm, 80mm
介质温度 Fluid Temperature	-10—+120°C
环境温度 Ambient Temperature	-10—+80°C
控制形式 Control Forms	双作用自由态 Double acting

Pneumatic Manifold Valve

气控连体阀



110 系列 110 Series



■ 外形尺寸 Dimensions

焊接 Weld End

规格Size	A	K	L	D	d	d1	d2	ΦE	2-ΦF
DN20	153	30	76	25	18	21	25	50	8.5
DN25	153	36	90	32	24	27	32	57	8.5

螺纹 Thread End

规格Size	A	K	L	D	d	G	SW	ΦE	2-ΦF
DN15	153	35	76	25	18	1/2"	27	50	8.5
DN25	153	46	90	32	24	1"	39	57	8.5

■ 技术参数 Technical Data

管道压力 Fluid Pressure	0-1.6MPa
控制压力 Control Pressure	0.3-0.8MPa
阀门特点 Advantages	阀门阀体结构采用三通连接方式，可实现快速的整齐排管，外形轻巧，结构紧凑，性能优良。 混料、控制、连接方便 3-Way body; Assembly easily and save space; Best choice for fluid mixing
控制介质 Control Fluid	中性气体或空气 Neutral gas, Air
密封材料 Seals Material	PTFE
适用介质 Applicable Fluid	水、油、气等介质 Water, Oil, Air and other liquid
介质温度 Fluid Temperature	-10—+200°C
环境温度 Ambient Temperature	-10—+80°C
连接形式 Connection Type	法兰式 Flanged
控制形式 Control Type	单作用常闭，常开，双作用常闭，双作用自由态 Normally closed、Normally open、Double acting

Pneumatic Shuttle Valve 不锈钢气控梭阀

ESG®



200 系列 200 Series

■ 工作原理 Function Principle

压缩空气迫使活塞往复运动，达到阀门的开启与关闭。介质压力作用在阀座上，活塞几乎不受阻力干扰，所以阀门可快速开或关。经改进的阀内结构，使介质流态更好，压损更小。

It works depending on the internal movement of a piston supplied with air. At The end of its stroke, the piston presses on the seat seal or moves away from it letting the intercepted fluid flow or stopping it from flowing. As the seat is perfectly tight and the intercepted fluid pressure discharge on it, the pressure necessary to move the piston is completely independent of the fluid pressure. Its full bore and its improved internal dynamics allow minimum pressure Losses, too.

■ 特点 Advantages

- 体积小 外观美 寿命长
采用不锈钢阀体，外观高档，耐腐蚀。活塞与密封合二为一，简单可靠，具有超长使用寿命，可任意方向安装。
- 速度快 压损小
阀体内介质流态更好，由于介质压力作用在阀座上活塞几乎不受阻力干扰，所以开关速度快，压损小。
- 耐真空
密封性能极佳，可耐740mmHg(相对真空)
- Compact structure, Stainless steel body, Any mounting Position. Adopt stainless steel body, the appearance of high-grade, corrosion resistance. The piston and sealing, long life and reliable, easy installation, can be arbitrary direction.
- Operating fast, Large flux, Low pressure loss body medium flow better, because the pressure in the seat almost Yin forces the pistons, so fast switching speed and pressure loss.
- Resistance to vacuum
Perfect sealing, could work in vacuum 740mm Hg.(Relative vacuum)

■ 应用范围 Applications

- 啤酒饮料灌装设备
- 印染纺织
- 气体工业
- 制药及医疗设备
- 橡胶机械
- Beer & Drinks Filling Machinery
- Textile Printing & Dyeing
- Gas Industry
- Pharmacy & Medical Equipment
- Rubber Machinery
- 化工行业
- 高温灭菌
- 发泡机械
- 水/污水处理
- Chemical Industry
- Disinfection
- Frothing Equipment
- Water/sewage Disposal

Pneumatic Shuttle Valve

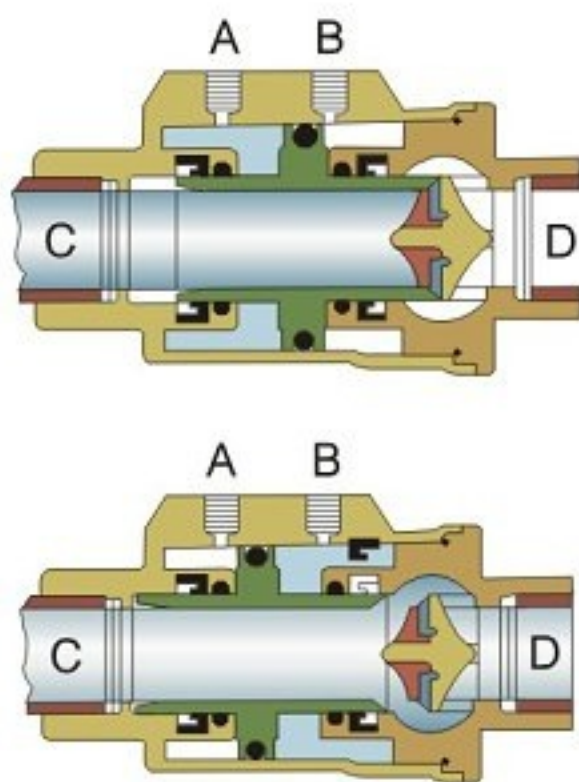
不锈钢气控梭阀



200 系列 200 Series

■ 技术参数 Technical Data

管道压力 Fluid Pressure	Max 1.6MPa(232psi)
控制压力 Control Pressure	0.3-0.8MPa(43.5-116psi)
控制介质 Control Fluid	中性气体或空气 Neutral gas, Air
阀体材料 Body Material	CF8M/CF8
密封材料 Seals Material	三元乙丙 EPDM/ 氟橡胶 FKM(VITON)
适用介质 Applicable Fluid	FKM 适用于绝大多数介质, 蒸汽除外。FKM-Suitable for most fluid, except for steam. EPDM 适用于热水和蒸汽, 不适用于油脂类, 燃料等。 EPDM-Suitable for steam and hot water, unsuitable for oils, greases, fuels etc.
介质温度 Fluid Temperature	-20°C—+150°C
环境温度 Ambient Temperature	-20°C—+80°C
控制形式 Control Type	单作用常闭、常开、双作用常闭, 双作用自由态 Normally closed, Normally open, Double acting
连接形式 Connection	螺纹式 Threaded (BSP, NPT, BSPT)



■ 开关过程示意图 Open/Close

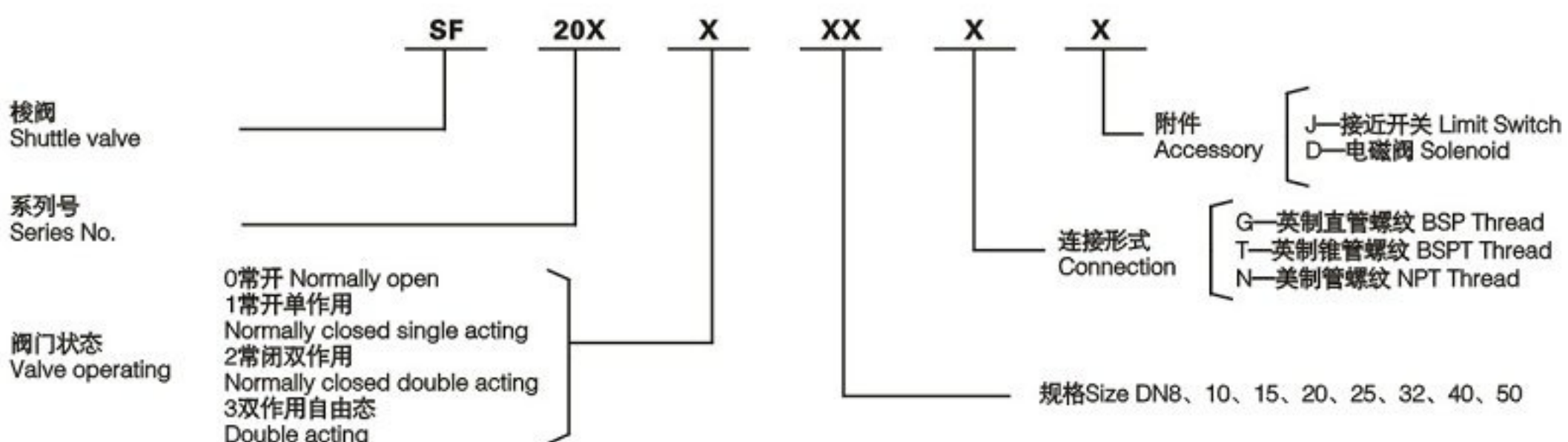
关闭 Closed valve

当“A”孔进气（“B”孔排气）时，活塞向“D”口移动并压在阀座密封上，此时阀门关闭。单动常闭型的弹簧安装在“A”端腔室。在非控制时，活塞是压在阀座上，所以其最常用的是关闭位。
Supplying the hole“A”with air (the hole “B”must be discharging) at the end of its stroke the piston presses on the seat seal: the valve is closed. As in spring return N.C. executions the spring is in“A”, if there is no control, the piston will touch the seat seal: therefore, the preferable position is the closed one.

开阀 Opened valve

当“B”孔进气（“A”孔排气）时，活塞轴从阀座向“C”口方向移动并在行程末端停止，此时阀门开启。单动常开型的弹簧安装在“B”端腔室。在非控制时，活塞是离开阀座的，所以其最常用的是开启位。
Supplying the hole“B”with air (the hole“A”must be discharging) at the end of its stroke the piston is at maximum distance from the seat seal: the valve is open. As in Spring Return N.O. executions the spring is in “B”, if there is no control, the piston will be away from the seat seal: therefore, the preferable position is the open one.

■ 订货说明 Order Instruction

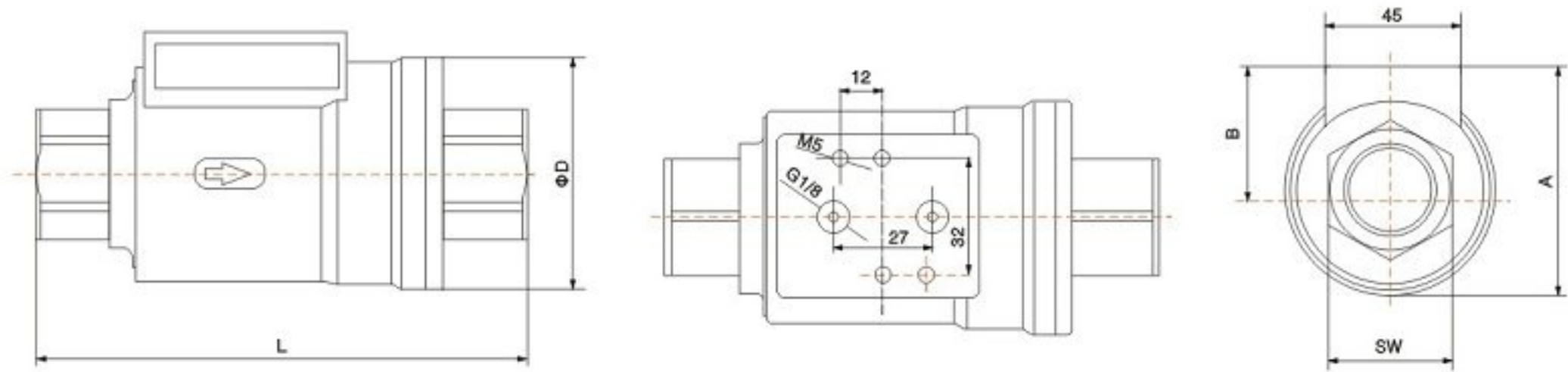


示例: SF 200 1 25 G
 表示梭阀 系列号200 常闭 规格为DN25 连接形式为英制管螺纹
 Example: SF 200 1 25 G means: Shuttle valve, Series 200, Normally closed, DN25, BSP thread

Pneumatic Shuttle Valve 不锈钢气控梭阀

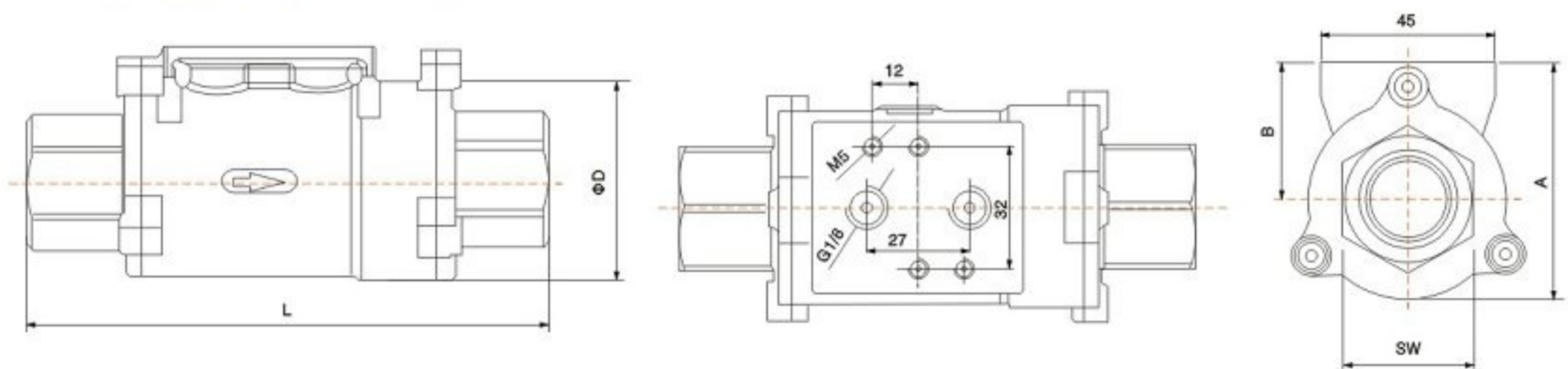


200系列外型尺寸 Dimension for 200 Series



规格 size	DN10	DN15	DN20	DN25	DN32	DN40	DN50
接口尺寸 Thread End	3/8"	1/2"	3/4"	1"	1 1/4"	1 1/2"	2"
A(mm)	56	61	72	78	94	104	116
D(mm)	46	52	64	69	86	96	108
SW(mm)	22	26.5	32	41	50	56	70
B(mm)	33	35	40	43	51	56	62
L(mm)	98	112	135	143	165	180	207
重量(Kg)	0.80	1.00	1.50	1.92	3.06	3.76	5.71

201系列外型尺寸 Dimension for 201 Series

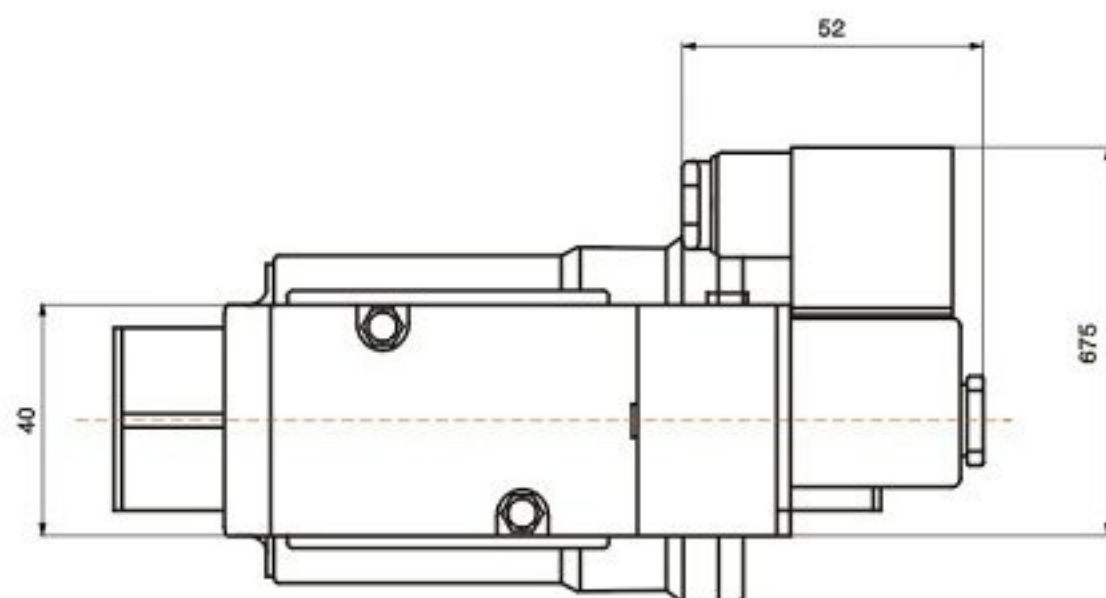
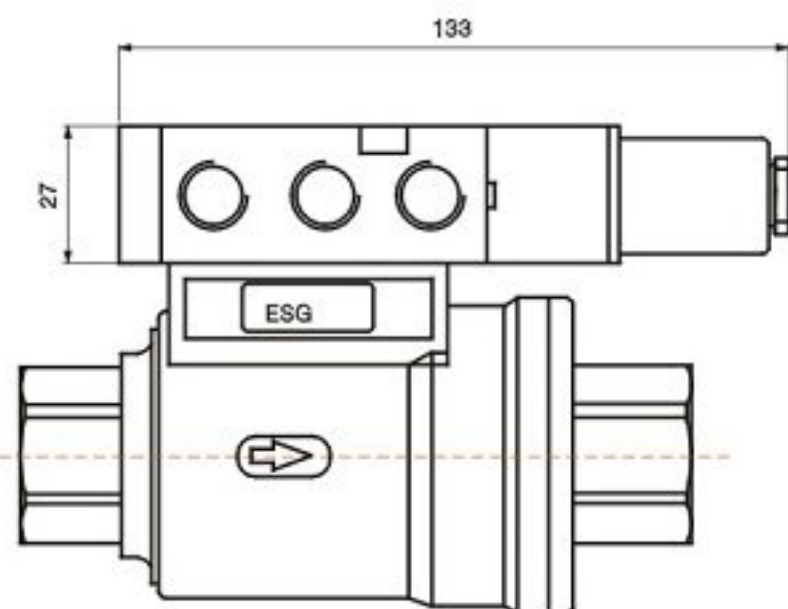


规格Size	DN8	DN10	DN15	DN20	DN25	DN32	DN40	DN50
接口尺寸 Thread End	1/4"	3/8"	1/2"	3/4"	1"	1 1/4"	1 1/2"	2"
A(mm)	49.5	49.5	53.3	63.5	70	85.5	95	109
D(mm)	37	37	42.5	52	60	75	84	97
SW(mm)	22	22	26	32	40	49	53	68
B(mm)	31	31	32	37.5	40	48	53	60
L(mm)	98	98	112	135	143	165	180	207
重量(Kg)	0.54	0.54	0.67	1.05	1.45	2.32	2.82	4.38

Shuttle Valve Accessory 梭阀附件

ESG®

电磁阀系列 NAMUR Solenoid Valve



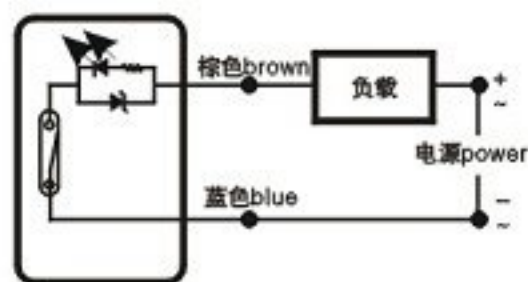
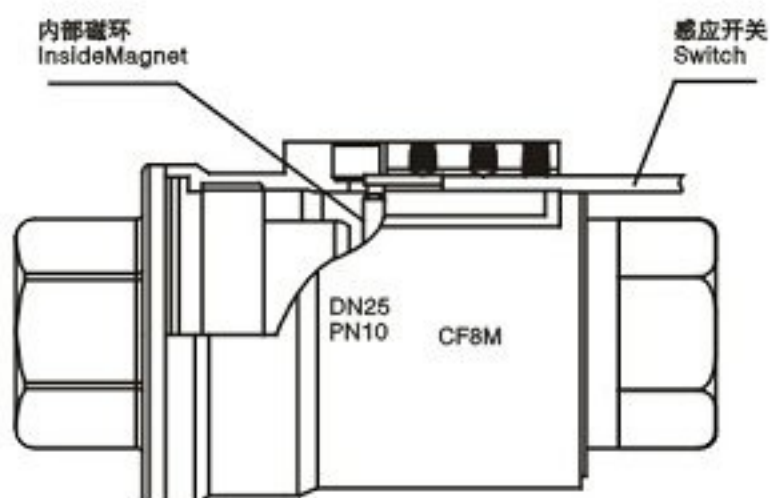
梭阀200与201系列分别可以安装如上图所示贴板式2位5通电磁阀 5/2 way NAMUR solenoid valve is suitable for 200 and 201 series.

■ 技术参数 Technical Data

接口 Connection	G1/4"平面贴接
气源压力 Air Pressure	0.15-0.8Mpa
电源 Power	AC:220V DC:24V
电压范围 Voltage Range	± 10%
功率消耗 Power Consumption	AC4.5W DC3W
环境温度 Ambient Temperature	5-55℃
最高工作效率 Max Frequency	3秒/次 3 times/second
防护等级 Protection Level	IP65

磁限位开关系列 Magnetic limit switch

在阀体上安装磁感应限位开关，指示阀门操作状态，反馈阀门启闭信号。The valve can be provided with magnetic limit switches and signalling LED



■ 技术参数 Technical Data

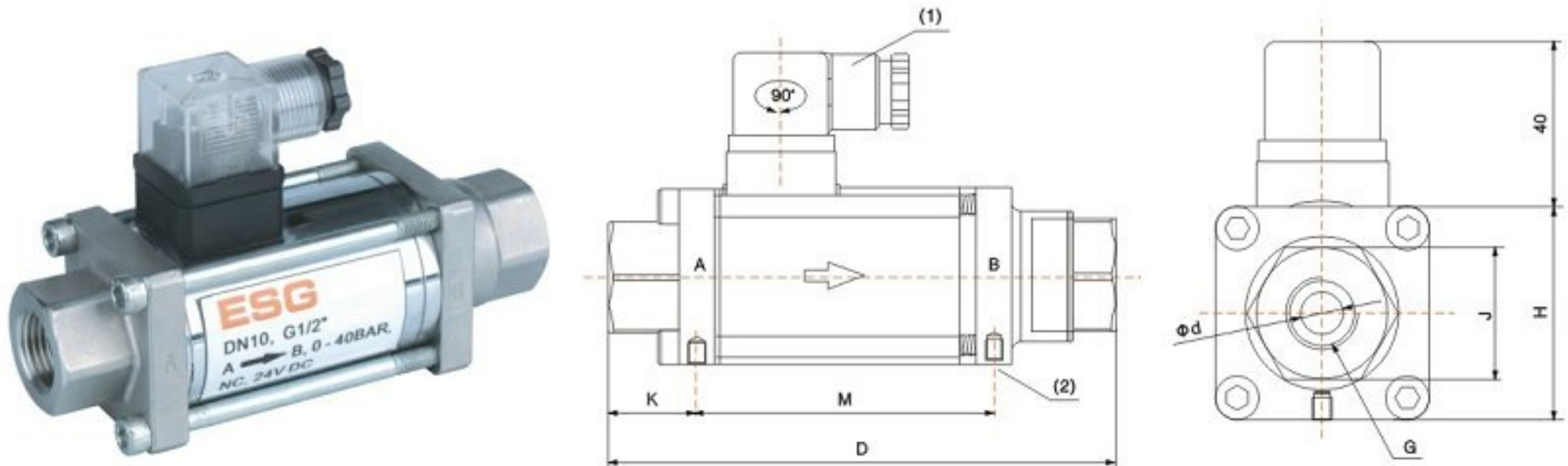
规格 Size	DN10-DN50
开关指示 Indication	红色LED; Red LED
使用电压范围 Power	5-120V DC/AC
最大开关电流 Max. Current	100MA
电源线 Cable	2线, 灰色耐油PVC; 2PVC cables
使用温度 Working temperature	-10—+70℃
防护等级 Protection	IP67
接线图 Connection drawing	

注：如需加限位开关须在订货时注明，否则无法在出厂后另外安装。
Note: Since the magnets must be assembled inside the valve, the limit switches must be requested on ordering the valve

Solenoid Shuttle Valve

电磁梭阀

ESG®



202 系列 202 Series

■ 安装尺寸图 Installation Dimension

规格 size	Φd	G	D	K	M	J	H	KV(m ² /h)	电压参数		启闭时间 (压力4bar)	
									标称电压	标称电流	开启ms	关闭ms
DN10	10	1/4"-3/4"	145	25	85	32	50	2.2	DC 24V	DC 1.2A	45	70
DN15	15	1/2"-3/4"	173	31	103	41	70	5.2	DC24V	DC 1.6A	60	130
DN20	20	3/4"-1"	193	35	111	46	80	7.5	DC 24V	DC 2A	105	150
DN25	25	1"-1 1/4"	212	36	121	50	90	12.2	DC24V	DC 2.2A	150	190

注: (1) 交流接线盒 (2) 支架安装孔2-M5
 Note: (1)Connector rectifier for AC (2)2 mounting holes M5

■ 工作原理 General

NC--常闭 (断电关闭)
 当通电时, 电磁力将阀座打开,
 当断电时, 弹簧力将阀座关闭

NO--常开(断电开启)
 当通电时, 电磁力将阀座关闭,
 当断电时, 弹簧力将阀座开启

Differential pressure: A→B:40bar, B→A:12bar
 Control type : NC(Normally closed), NO(Normally open)
 Connection: Thread(BSP、NPT、BSPT)
 Maximum viscosity: 500cst(mm²/s)
 Fluids: Air, Gas, Oil, Water, Etc
 Temperature range: -20°Cto+130°C
 Seal materials: FPM
 Body materials: Carbon Steel
 End Cap: CF8/CF8M
 Tube & Internal parts: SS304/SS316

■ 常规选项 Electrical Characteristics

控制类型: 电磁直动式
 连接形式: 螺纹连接
 尺寸范围: 1/4"-1 1/4"
 工作压力: A→B 40bar, B→A 12bar
 适用介质: 中性, 腐蚀性液体和气体
 介质粘度: 最大500 cst(mm²/s)
 介质温度: -20~+130°C
 环境温度: -30~+60°C
 阀门材质: 不锈钢 (CF8/CF8M)
 密封材质: FPM
 控制电源: DC; 24V;
 防护等级: IP65

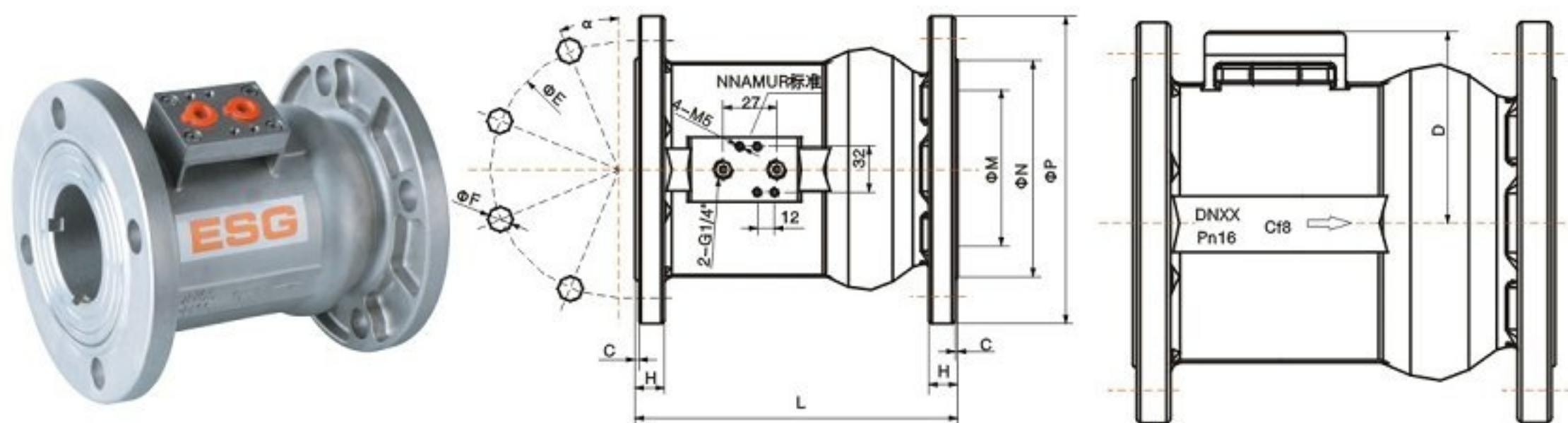
Coil insulation class: H
 Connector(rectifier for AC): Spade plug
 Electrical safety: IEC 335
 Electrical enclosure protection: IP65
 Standard voltages: DC:24V

Flange Ends Pneumatic Shuttle Valve

法兰式不锈钢气控梭阀

ESG[®]

204 系列 204 Series



法兰标准符合 Flange specification: JB/T82.1-1994; DIN2543-2000

■ 技术参数 Technical Data

管道压力 Fluid Pressure	正向 (Above seat) : Max 1.6MPa(232psi) , 反向 (Below seat) : Max 1.2MPa(174psi)
控制压力 Control Pressure	0.3-0.5MPa (43.5-72.5psi)
控制介质 Control Fluid	中性气体或空气 Neutral gas, Air
阀体材料 Body Material	CF8
密封材料 Seals Material	三元乙丙EPDM/ (氟橡胶FKM需订做, FKM can be customized)
适用介质 Applicable Fluid	EPDM 适用于热水和蒸汽, 不适用于油脂类, 燃料等。 EPDM-Suitable for steam and hot water, unsuitable for oils, greases, fuels etc FKM 适用于绝大多数介质, 蒸汽除外。 FKM-Suitable for most fluid, except for steam.
介质温度 Fluid Temperature	-20°C--+130°C
环境温度 Ambient Temperature	-20°C--+80°C
控制形式 Control Type	双作用自由态 Double acting
连接形式 Connection	法兰式 Flange Ends

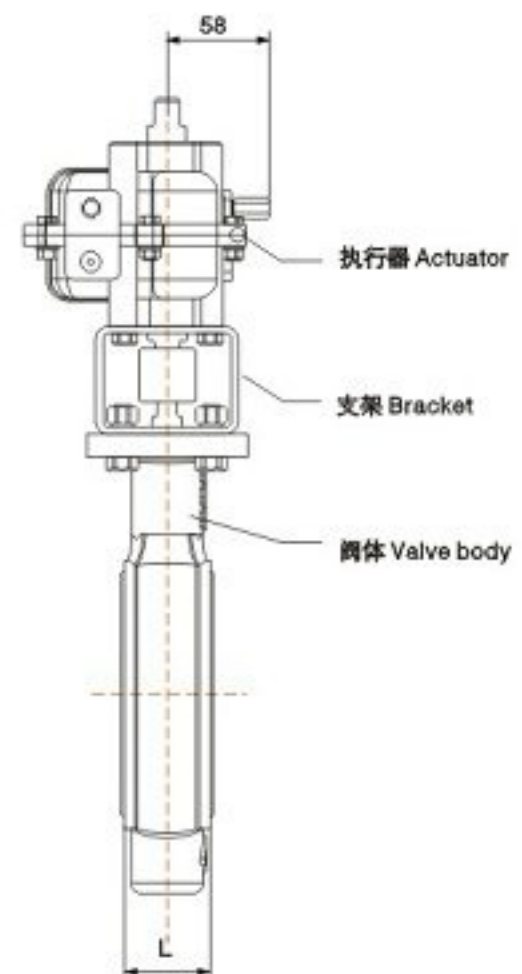
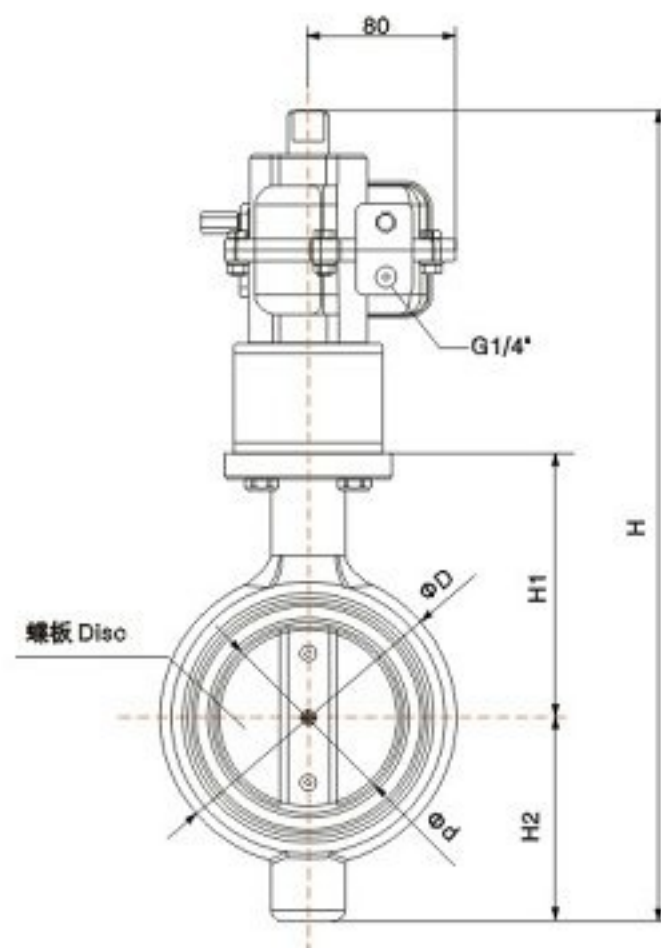
■ 外形尺寸 Dimensions

规格 size	D	L	φE	φF	H	C	φM	φN	φP	α
DN65	85	192	145	4-φ18	20	2	66	120	180	45°
DN80	92	212	160	8-φ18	22	2	75	135	195	22.5°
DN100	102	227	180	8-φ18	22	2	94	155	215	22.5°

Pneumatic Butterfly Valve

气控蝶阀

ESG®



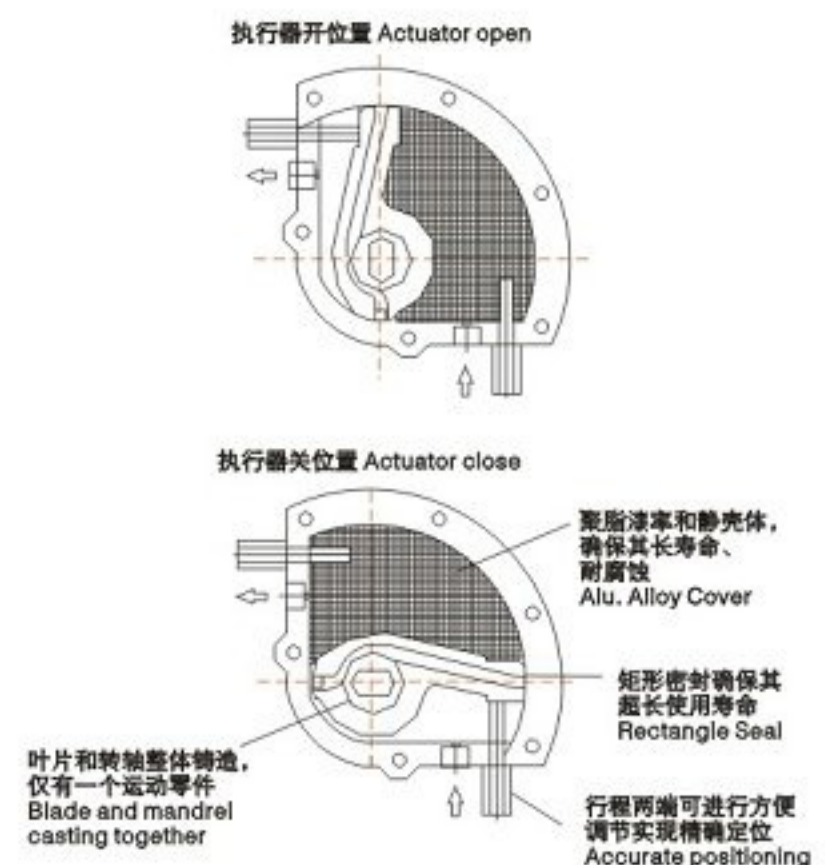
300 系列 300 Series

工作原理 Function Principle

压缩空气迫使叶片做往复运动，使阀门达到开启与关闭。独特的叶片型旋转气缸设计是理想的旋转气动驱动零件，确保其工作稳、寿命长、效率高。
Low power loss, high efficiency, Long maintenance-free life, Accurate operating direct mounting.

技术参数 Technical Data

管道压力 Fluid Pressure	Max 1.6MPa(232psi)
控制压力 Control Pressure	0.3-0.8MPa(43.5-116psi)
适用介质 Applicable Fluid	EPDM适用于热水和蒸汽，不适用于油脂类，燃料等。 EPDM-Suitable for steam and hot water, unsuitable for oils, greases, fuels etc.
介质温度 Fluid Temperature	-10°C—+150°C
阀体材料 Valve Body Material	HT200
密封材料 Seals Material	EPDM
蝶板材料 Disc Material	CF8
控制形式 Control Type	双作用 Double acting



外形尺寸 Dimension

规格 size	工作压力 Fluid pressure (Mpa)	控制压力 Control pressure (Mpa)	L (mm)	H (mm)	H1 (mm)	H2 (mm)	Φd (mm)	D (mm)	重量 Weight (Kg)
DN50	0-1.6	0.3-0.8	40	372	110	75	52	102	4.7
DN65	0-1.6	0.3-0.8	40	375	120	76	66.5	110	4.8
DN80	0-1.6	0.3-0.8	44	372	120	89	76.5	128	5.3
DN100	0-1.6	0.3-0.8	48	440	144	110	100.5	160	7.7
DN150	0-1.6	0.3-0.8	52	510	180	145	152.5	218	10.8

Butterfly Valve 蝶阀



301 Series -A



301 Series -B



302 Series

301/302 系列 301/302 Series

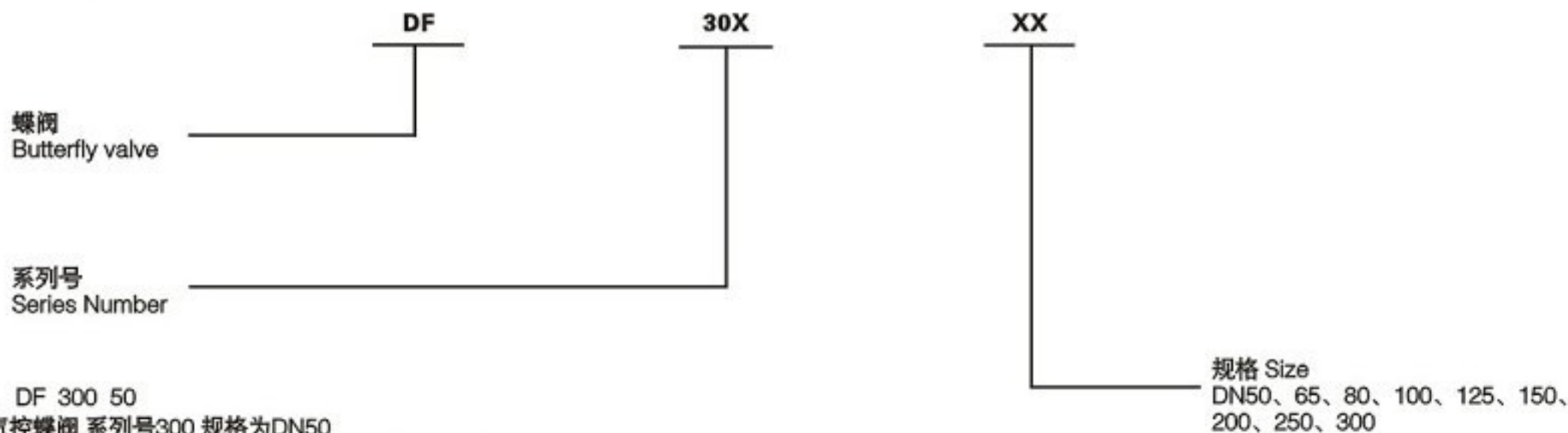
■ 气控蝶阀301系列 Pneumatic Butterfly Valve 301Series

型号: 50 65 80 100 125 150 200 250 300
 面距: 42 44.7 45.2 52.1 54.4 55.8 60.6 65.7 76.5
 介质: 水、蒸汽、腐蚀性介质
 阀体材质: 不锈钢、球铁、灰铁、碳钢
 密封: EPDM / PTFE
 压力: 1.6Mpa(232psi)
 阀板: CF8 / CF8M
 Size: 50 65 80 100 125 150 200 250 300
 Face to face(mm): 42 44.7 45.2 52.1 54.4
 55.8 60.6 65.7 76.5
 Medium: Water, Steam, Corrosive Medium
 Body material: Cast iron; Stell & Stainless stell 316/304
 Seals: EPDM / PTFE
 Fluid pressure: 1.6Mpa(232psi)
 Disc: CF8/CF8M

■ 手动蝶阀302系列 Manual Butterfly Valve 302 Series

型号: 50 65 80 100 125 150 200 250 300
 面距: 42 44.7 45.2 52.1 54.4 55.8 60.6 65.7 76.5
 介质: 水、蒸汽、腐蚀性介质
 阀体材质: 不锈钢、球铁、灰铁、碳钢
 密封: EPDM/PTFE
 压力: 1.6Mpa(232psi)
 阀板: CF8/CF8M
 Size: 50 65 80 100 125 150 200 250 300
 Face to face(mm): 42 44.7 45.2 52.1 54.4
 55.8 60.6 65.7 76.5
 Medium: Water, Steam, Corrosive Medium
 Body material: Cast iron; Steel & Stainless stell 316/304
 Seals: EPDM / PTFE
 Fluid pressure: 1.6Mpa(232psi)
 Disc: CF8/CF8M

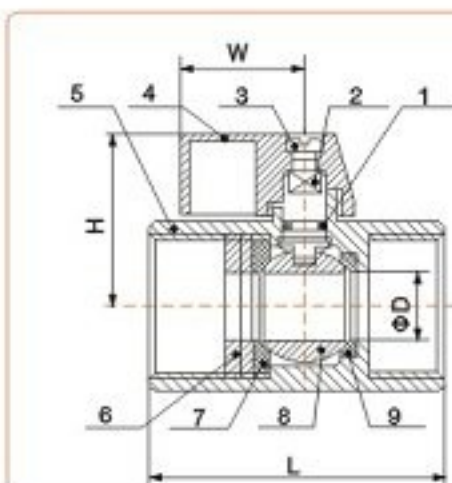
■ 蝶阀订货说明 Order Instruction



示例: DF 300 50
 表示气控蝶阀 系列号300 规格为DN50
 Example:DF 300 50means:Butterfly valve 300series, DN50

Mini Ball Valve-1 迷你球阀-1

Model:400 001



■ 技术参数 Technical Data

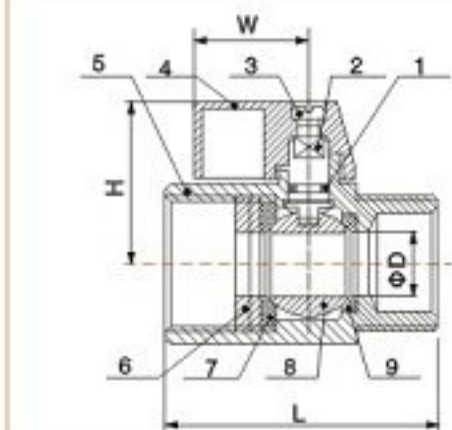
公称压力 Nominal pressure: 6.9Mpa(1000Psi)
 适用温度 Applicable temperature: -20~180℃
 阀体阀盖 Body and Bonnet: CF8(304) or CF8M(316)
 球体 Bal: CF8(304) or CF8M(316)
 阀杆 Stem: 304 or 316
 填料和密封圈 Sealing and Packing: 聚四氟乙烯(PTFE)
 螺纹连接 Thread end: BSP, BSPT, DIN2999, NPT

■ 主要外形尺寸 Main Dimension

ITEM	SIZE	1/4"	3/8"	1/2"	3/4"	1"
ØD		7	7	9.2	12.5	15
L		42	42	46	54	65
H		26.5	26.5	28.3	31.5	34
W		22.8	22.8	22.8	22.8	22.8

Mini Ball Valve-2 迷你球阀-2

Model: 400 002



■ 技术参数 Technical Data

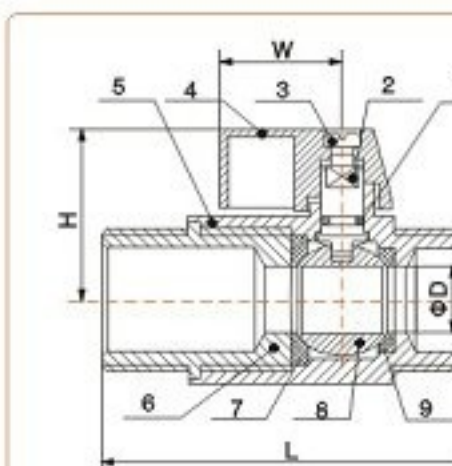
公称压力 Nominal pressure: 6.9Mpa(1000Psi)
 适用温度 Applicable temperature: -20~180℃
 阀体阀盖 Body and Bonnet: CF8(304) or CF8M(316)
 球体 Bal: CF8(304) or CF8M(316)
 阀杆 Stem: 304 or 316
 填料和密封圈 Sealing and Packing: 聚四氟乙烯(PTFE)
 螺纹连接 Thread end: BSP, BSPT, DIN2999, NPT

■ 主要外形尺寸 Main Dimension

ITEM	SIZE	1/4"	3/8"	1/2"	3/4"	1"
ØD		7	7	9.2	12.5	15
L		42	42	46	54	65
H		26.5	26.5	28.3	31.5	34
W		22.8	22.8	22.8	22.8	22.8

Mini Ball Valve-3 迷你球阀-3

Model:400 003



■ 技术参数 Technical Data

公称压力 Nominal pressure: 6.9Mpa(1000Psi)
 适用温度 Applicable temperature: -20~180℃
 阀体阀盖 Body and Bonnet: CF8(304) or CF8M(316)
 球体 Bal: CF8(304) or CF8M(316)
 阀杆 Stem: 304 or 316
 填料和密封圈 Sealing and Packing: 聚四氟乙烯 (PTFE)
 螺纹连接 Thread end: BSP, BSPT, DIN2999, NPT

■ 主要外形尺寸 Main Dimension

ITEM	SIZE	1/4"	3/8"	1/2"	3/4"	1"
ØD		7	7	9.2	12.5	15
L		50	50	58	70	83
H		26.5	26.5	28.3	31.5	34
W		22.8	22.8	22.8	22.8	22.8

400 系列 400 Series

1-PC Ball Valve 一片式球阀

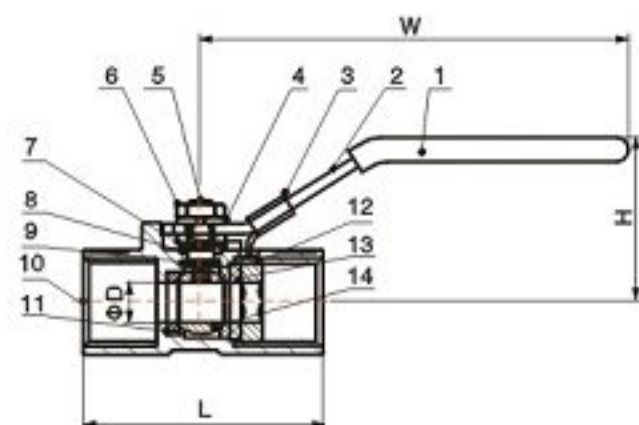
Model:400 101



■ 技术参数 Technical Data

公称压力 Nominal pressure: 6.9Mpa(1000Psi)
 适用温度 Applicable temperature: -20~180°C
 阀体阀盖 Body and Bonnet: CF8(304) or CF8M(316)
 球体 Bal: CF8(304) or CF8M(316)
 阀杆 Stem: 304 or 316
 填料和密封圈 Sealing and Packing: 聚四氟乙烯 (PTFE)
 螺纹连接 Thread end: BSP, BSPT, DIN2999, NPT

■ 主要外形尺寸 Main Dimension



SIZE ITEM	1/4"	3/8"	1/2"	3/4"	1"	1 1/4"	1 1/2"	2"	2 1/2"	3"
ΦD	5	7	9	13	16	20	25	32	38	50
L	39	44	57	58	71	78	82	100	127	153
H	33	36	37	42	52	56	65	70	70	77
W	68.5	67	93	93	103	103	125	125	189	189

400 系列 400 Series

1-PC Flanged Ball Valve With Mounting Pad 一片式高平台法兰球阀

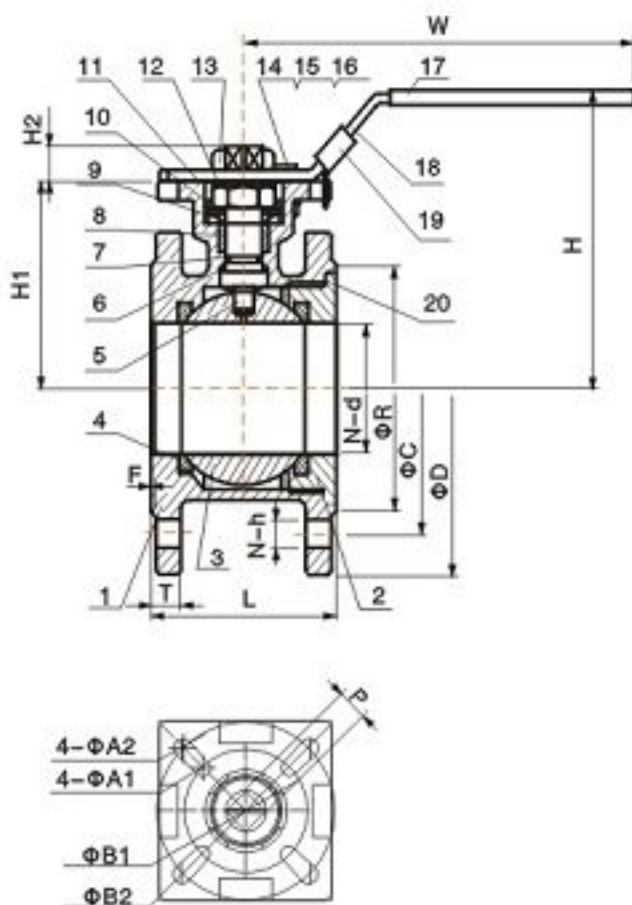
Model:400 102



■ 技术参数 Technical Data

公称压力 Nominal pressure: 6.9Mpa(1000Psi)
 适用温度 Applicable temperature: -20~180°C
 阀体阀盖 Body and Bonnet: CF8(304) or CF8M(316)
 球体 Bal: CF8(304) or CF8M(316)
 阀杆 Stem: 304 or 316
 填料和密封圈 Sealing and Packing: 聚四氟乙烯 (PTFE)

■ 主要外形尺寸 Main Dimension



SIZE	DN15	DN20	DN25	DN32	DN40	DN50	DN65	DN80	DN100
PN	10-40						10/16		
L	42	44	50	60	65	80	110	120	150
Φd	15	20	25	32	38	50	65	76	94
ΦR	45	58	68	78	88	102	122	138	158
ΦC	65	75	85	100	110	125	145	160	180
ΦD	95	105	115	140	150	165	185	200	220
f	2	2	2	2	3	3	3	3	3
T	9	9	9	12	13	20	18	20	20
H	81	86	99	109	116	124	148	157	190
W	140	140	160	160	185	185	230	230	310
H1	48	53	62	72	78	86	102.5	111.5	139
H2	9	9	11	11	14	14	17	17	22
P	9	9	11	11	14	14	17	17	22
ΦA1	6	6	6	6	7	7	9	9	
ΦA2	1	6	7	7	9	9	11	11	11
ΦB1	36	36	42	42	50	50	70	70	
ΦB2	42	42	50	50	70	70	102	102	102
N	4	4	4	4	4	4	4	8	8
h	M12	M12	M12	M16	M16	M16	M16	M16	M16

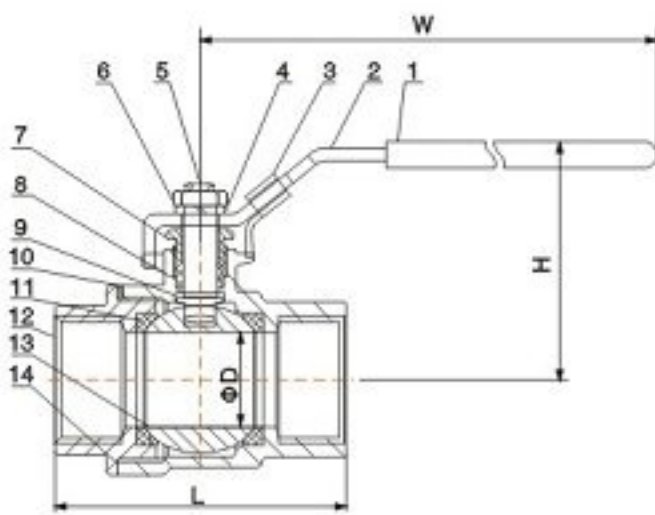
2-PC Ball Valve(F/F) 二片式内螺纹球阀 (F/F)

Model:400 201



■ 技术参数 Technical Data

公称压力 Nominal pressure: 6.9Mpa(1000Psi)
 适用温度 Applicable temperature: -20~180°C
 阀体阀盖 Body and Bonnet: CF8(304) or CF8M(316)
 球体 Bal: CF8(304) or CF8M(316)
 阀杆 Stem: 304 or 316
 填料和密封圈 Sealing and Packing: 聚四氟乙烯 (PTFE)
 螺纹连接 Thread end: BSP, BSPT, DIN2999, NPT



■ 主要外形尺寸 Main Dimension

SIZE ITEM	1/4"	3/8"	1/2"	3/4"	1"	1 1/4"	1 1/2"	2"	2 1/2"	3"	4"
ΦD	12.5	12.5	15	20	25	32	38	50	65	80	100
L	49	49	58	66	77	90	98	121	145	166	240
H	48	48	52	61	65	79	83	97	135	144	159
W	100	100	100	127	127	154	154	192	244	244	275

400 系列 400 Series

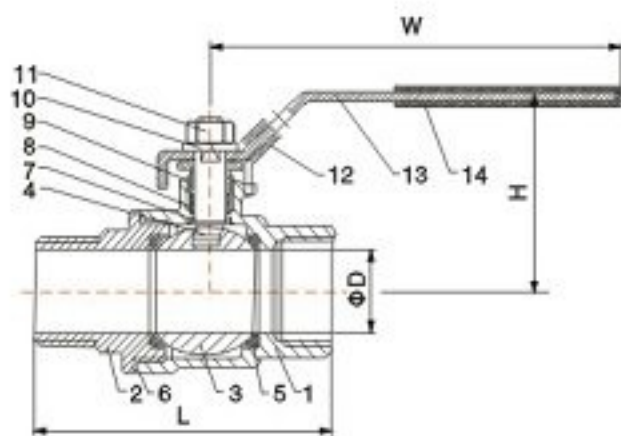
2-PC Ball Valve(F/M) 二片式内外螺纹球阀 (F/M)

Model:400 202



■ 技术参数 Technical Data

公称压力 Nominal pressure: 6.9Mpa (1000Psi)
 适用温度 Applicable temperature: -20~180°C
 阀体阀盖 Body and Bonnet: CF8(304) or CF8M(316)
 球体 Bal: CF8(304) or CF8M(316)
 阀杆 Stem: 304 or 316
 填料和密封圈 Sealing and Packing: 聚四氟乙烯 (PTFE)
 螺纹连接 Thread end: BSP, BSPT, DIN2999, NPT



■ 主要外形尺寸 Main Dimension

SIZE ITEM	1/4"	3/8"	1/2"	3/4"	1"	1 1/4"	1 1/2"	2"
ΦD	11.6	11.6	15	20	25	32	38	50
L	56.5	58.2	69	77.7	91.5	105.5	114.2	139.5
W	101.5	101.5	101.5	124	124	152	152	190
H	48	48	52	61	65	79	83	97

3-PC Thread Ball Valve

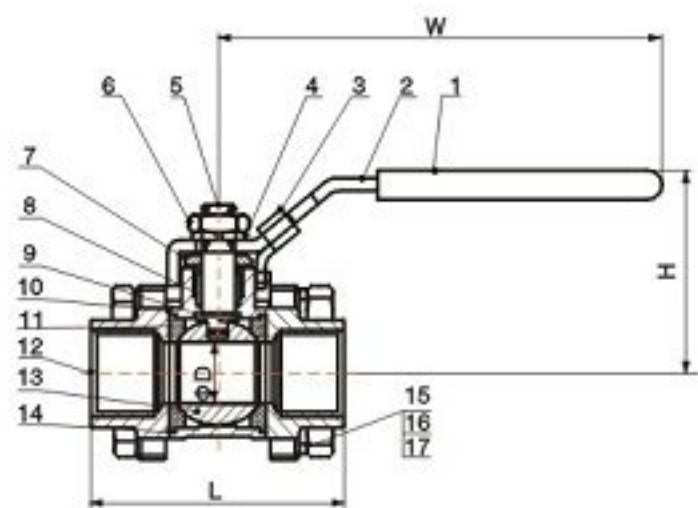
三片式内螺纹球阀

Model:400 301



■ 技术参数 Technical Data

公称压力 Nominal pressure: 6.9Mpa(1000Psi)
 适用温度 Applicable temperature: -20~180°C
 阀体阀盖 Body and Bonnet: CF8(304) or CF8M(316)
 球体 Bal: CF8(304) or CF8M(316)
 阀杆 Stem: 304 or 316
 填料和密封圈 Sealing and Packing: 聚四氟乙烯 (PTFE)
 螺纹连接 Thread end: BSP, BSPT, DIN2999, NPT



■ 主要外形尺寸 Main Dimension

SIZE ITEM	1/4"	3/8"	1/2"	3/4"	1"	1 1/4"	1 1/2"	2"	2 1/2"	3"	4"
ΦD	12.5	12.5	15	20	25	32	38	50	65	80	100
L	50.5	50.5	61.5	70	80.5	93	103	125	158	179	213
H	48	48	52	61	65	79	83	97	135	144	149
W	100	100	100	127	127	154	154	192	244	244	285

400 系列 400 Series

3-PC Butt Weld Ball Valve

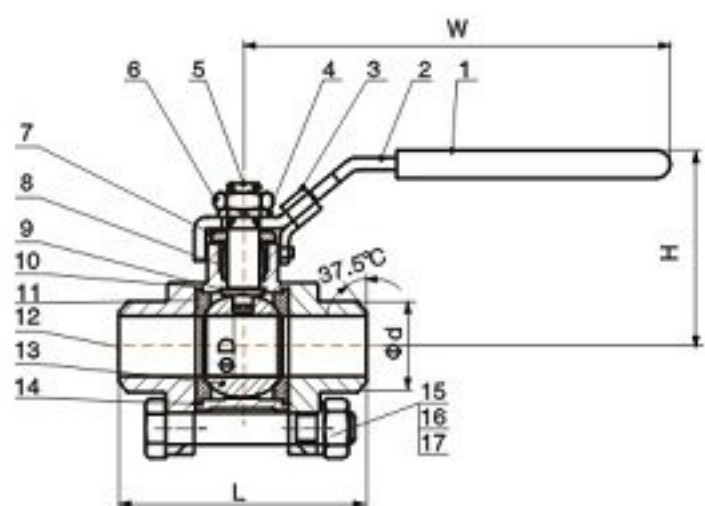
三片式对焊球阀

Model:400 302



■ 技术参数 Technical Data

公称压力 Nominal pressure: 6.9Mpa(1000Psi)
 适用温度 Applicable temperature: -20~180°C
 阀体阀盖 Body and Bonnet: CF8(304) or CF8M(316)
 球体 Bal:CF8(304) or CF8M(316)
 阀杆 Stem: 304 or 316
 填料和密封圈 Sealing and Packing: 聚四氟乙烯 (PTFE)
 焊接连接 Welded connection



■ 主要外形尺寸 Main Dimension

SIZE ITEM	1/4"	3/8"	1/2"	3/4"	1"	1 1/4"	1 1/2"	2"	2 1/2"	3"	4"
ΦD	9.7	12.5	15	20	25	32	38	50	64	76	100
Φd	15.2	18	22	27.5	33.5	44	50	61.6	76	92	116
L	61	52.4	62.4	72.2	81.6	95	106	127.2	160.2	182.2	220
H	50	48	52	61	65	79	83	97	135	144	160
W	103	100	100	127	127	154	154	192	244	244	278

3-PC Flanged Ball Valve

三片式法兰球阀

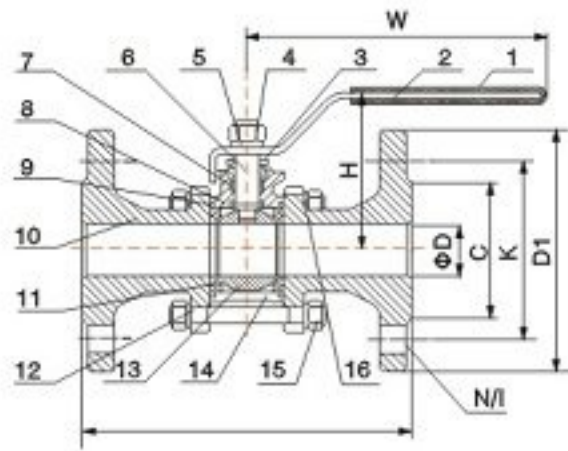
Model:400 303



■ 技术参数 Technical Data

公称压力 Nominal pressure: 6.9Mpa(1000Psi)
 适用温度 Applicable temperature: -20~180℃
 阀体阀盖 Body and Bonnet: CF8(304) or CF8M(316)
 球体Ball:CF8(304) or CF8M(316)
 阀杆 Stem: 304 or 316
 填料和密封圈 Sealing and Packing: 聚四氟乙烯 (PTFE)
 法兰连接 Flange Type: ANSI, DIN

■ 主要外形尺寸 Main Dimension



ITEM SIZE	D	H	W	PN ANSI		DIN PN16					DIN PN40				
				L	L	D1	K	G	B	1/N	D1	K	G	B	1/N
1/2"	15	79	160	130	108	95	65	45	14	14/4	95	65	45	16	14/4
3/4"	20	84	160	150	117	105	75	58	16	14/4	105	75	58	18	14/4
1"	25	100	185	160	127	115	85	68	16	14/4	115	85	68	18	14/4
1 1/4"	32	105	185	180	140	140	100	78	16	18/4	140	100	78	18	18/4
1 1/2"	40	115	220	200	165	150	110	88	16	18/4	150	110	88	18	18/4
2"	50	124	220	230	178	165	125	102	18	18/4	165	125	102	20	18/4
2 1/2"	65	165	305	290	190	185	145	122	18	18/4	185	145	122	22	18/4
3"	80	177	305	310	203	200	160	138	20	18/8	200	160	138	24	18/8
4"	94	203	330	350	229	220	180	158	20	18/8	235	190	162	24	22/8

400 系列 400 Series

3-PC Socket Weld Ball Valve

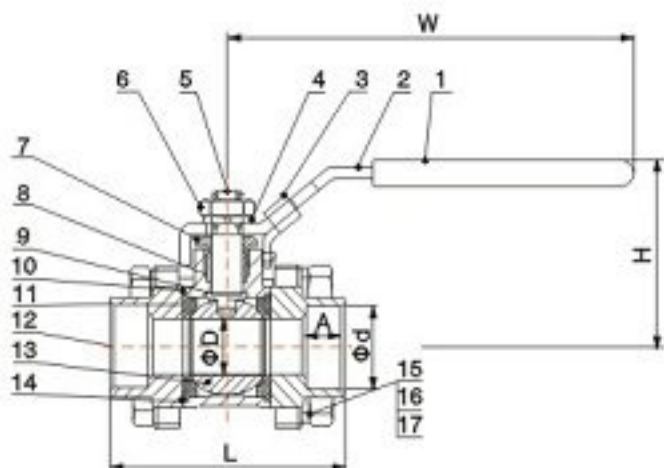
三片式承插焊球阀



■ 技术参数 Technical Data

公称压力 Nominal pressure: 6.9Mpa(1000Psi)
 适用温度 Applicable temperature: -20~180℃
 阀体阀盖 Body and Bonnet: CF8(304) or CF8M(316)
 球体Ball:CF8(304) or CF8M(316)
 阀杆 Stem: 304 or 316
 填料和密封圈 Sealing and Packing: 聚四氟乙烯 (PTFE)
 焊接连接 Welded Connection

■ 主要外形尺寸 Main Dimension



SIZE ITEM	1/4"	3/8"	1/2"	3/4"	1"	1 1/4"	1 1/2"	2"
Φd	14.1	17.6	21.7	27.1	33.9	42.6	48.7	61.1
A	10	10	10	13	13	13	13	16
ΦD	12.5	12.5	15	20	25	32	38	50
L	50.5	50.5	61.5	70	80.5	93	103	125
H	48	48	52	61	65	79	83	97
W	100	100	100	127	127	154	154	192

1-PC Ball Valve With Mounting Pad

一片式高平台球阀

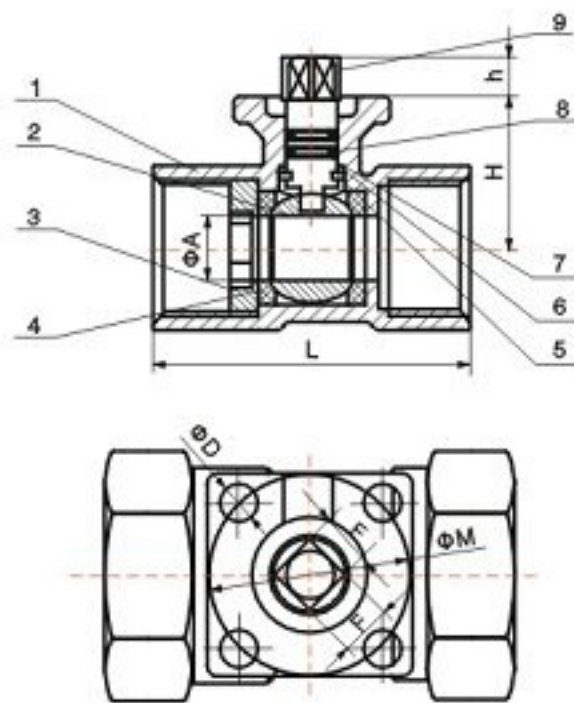
ESG[®]

Model:400 401



■ 技术参数 Technical Data

公称压力 Nominal pressure: 6.9Mpa(1000Psi)
 适用温度 Applicable temperature: -20~180°C
 阀体阀盖 Body and Bonnet: CF8(304) or CF8M(316)
 球体Ball: CF8(304) or CF8M(316)
 阀杆 Stem: 304 or 316
 填料和密封圈 Sealing and Packing: 聚四氟乙烯 (PTFE)
 螺纹连接 Thread end: BSP, BSPT, DIN2999, NPT



■ 主要外形尺寸 Main Dimension

SIZE ITEM	3/8"	1/2"	3/4"	1"	1 1/4"	1 1/2"	2"
L	45	55	60	73	78	89	100
A	7	9.2	12.5	15	20	25	32
H	24	26	32	35	38	42	50
C	36	36	36	36	36	50	50
h	9	9	9	9	9	11	11
D	6.5	6.5	6.5	6.5	6.5	7	7
M	36	36	36	36	36	50	50
F	9	9	9	9	9	11	11

400 系列 400 Series

2-PC Ball Valve With Mounting Pad

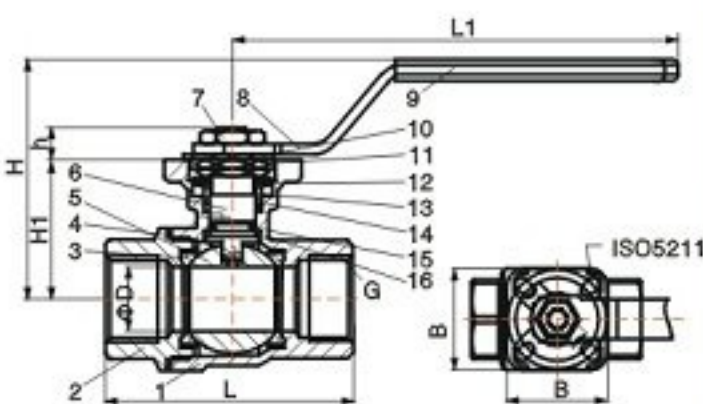
二片式高平台球阀

Model:400 402



■ 技术参数 Technical Data

公称压力 Nominal pressure: 6.9Mpa(1000Psi)
 适用温度 Applicable temperature: -20~180°C
 阀体阀盖 Body and Bonnet: CF8(304) or CF8M(316)
 球体Ball: CF8(304) or CF8M(316)
 阀杆 Stem: 304 or 316
 填料和密封圈 Sealing and Packing: 聚四氟乙烯 (PTFE)
 螺纹连接 Thread end: BSP, BSPT, DIN2999, NPT



■ 主要外形尺寸 Main Dimension

	1/4"	3/8"	1/2"	3/4"	1"	1 1/4"	1 1/2"	2"
G	11	12.7	15	20	25	32	40	50
ΦD	49.5	49.6	55	70.5	82.5	90.8	103	120
L	110	110	110	136	136	158	203	203
L1	59	59	61	67	70	87	93	100
H	9	9	9	9	9	9	11	11
F	34.7	37.4	41.7	50.4	50.4	66.5	66.5	66.5
B	F03	F03	F03	F04/F05	F04/F05	F05/F07	F05/F07	F05/F07
ISO5211								

3-PC Ball Valve With Mounting Pad 三片式高平台球阀

Model:400 403

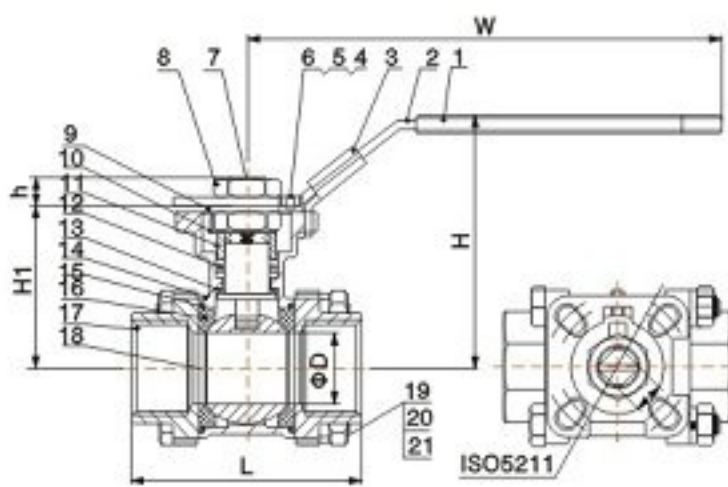
ESG[®]



■ 技术参数 Technical Data

公称压力 Nominal pressure: 6.9Mpa(1000Psi)
 适用温度 Applicable temperature: -20~180°C
 阀体阀盖 Body and Bonnet: CF8(304) or CF8M(316)
 球体 Bal:CF8(304) or CF8M(316)
 阀杆 Stem: 304 or 316
 填料和密封圈 Sealing and Packing: 聚四氟乙烯 (PTFE)
 螺纹连接 Thread end: BSP , BSPT, DIN2999, NPT

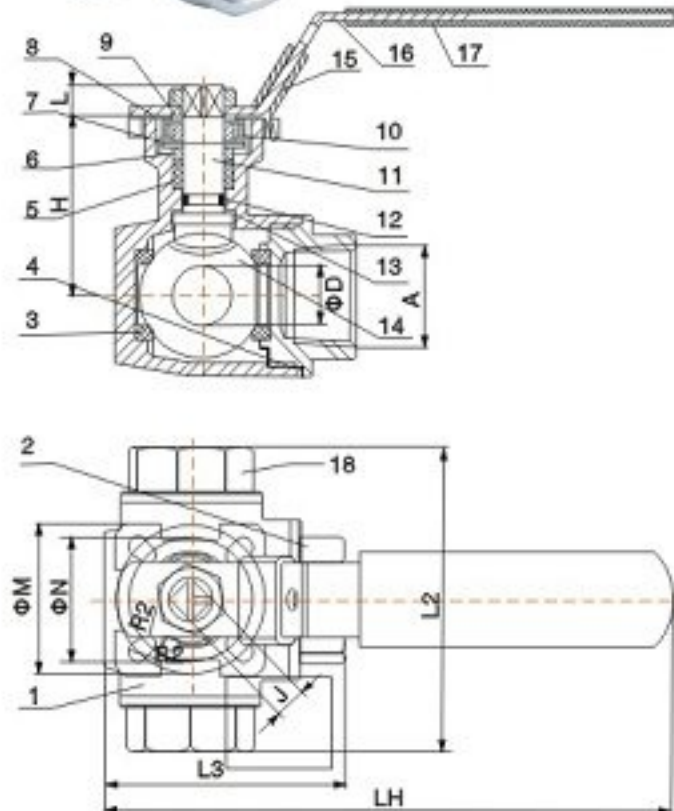
■ 主要外形尺寸 Main Dimension



SIZE	1/4"	3/8"	1/2"	3/4"	1"	1 1/4"	1 1/2"	2"	2 1/2"	3"	4"
ITEM											
D	12.5	12.5	15	20	25	32	38	50	65	76	94
L	50.5	50.5	61.5	70	80.5	93	103	125	170	186	226
H	72	72	75	81	88	94	106	121	155	164	168
W	140	140	140	140	160	160	185	185	235	235	333
H1	38	38	41	48	55	60	70	85	109	118	116
h	11	11	11	11	11	11	15	15	20	20	20
□	9	9	9	9	11	11	14	14	17	17	17
ISO5211	F03	F03	F03	F03	F04	F04	F05	F05	F07	F07	F07
	F04	F04	F04	F04	F05	F05	F07	F07	F10	F10	F10

3-Way Ball Valve 内螺纹三通高平台球阀

Model:400 404



■ 技术参数 Technical Data

公称压力 Nominal pressure: 6.9Mpa(1000Psi)
 适用温度 Applicable temperature: -20~180°C
 阀体阀盖 Body and Bonnet: CF8(304) or CF8M(316)
 球体 Bal:CF8(304) or CF8M(316)
 阀杆 Stem: 304 or 316
 填料和密封圈 Sealing and Packing: 聚四氟乙烯 (PTFE)
 螺纹连接 Thread end: BSP , BSPT, DIN2999, NPT

■ 主要外形尺寸 Main Dimension

ITEM SIZE	A	ΦD	H	L	N	M	J	R1	R2	L2	L3	LH
1/2"	1/2"	12.5	42	9	36	42	9	3	3	79	64	163
3/4"	3/4"	16	49	9	36	42	9	3	3	83	68	165
1"	1"	20	59.5	11	42	50	11	3	3.5	104	82	190
1 1/4"	1 1/4"	25	63	11	42	50	11	3	3.5	111	90	195
1 1/2"	1 1/2"	32	73.5	14	50	70	14	3.5	4.5	126	106	227
2"	2"	38	82.5	14	50	70	14	3.5	4.5	147	123	235

400 系列 400 Series

Pneumatic Ball Valve

气控球阀



400 系列 400 Series



A 型 TYPE A

■ 技术参数 Technical Data

公称压力 Nominal pressure: 6.9Mpa(1000Psi)
 适用温度 Applicable temperature: -20~180°C
 阀体阀盖 Body and Bonnet: CF8(304) or CF8M(316)
 球体 Bal: CF8(304) or CF8M(316)
 阀杆 Stem: 304 or 316
 填料和密封圈 Sealing and Packing: 聚四氟乙烯 (PTFE)
 螺纹连接 Thread end: BSP, BSPT, DIN2999, NPT
 控制型式 Control type: 双作用 Double acting
 (若选用单作用控制形式, 需另选型)

■ 主要外形尺寸 Main Dimension (For 5bar)

A型Type A

ITEM	SIZE	DN8	DN10	DN15	DN20	DN25	DN32	DN40	DN50
G		1/4"	3/8"	1/2"	3/4"	1"	1 1/4"	1 1/2"	2"
D		12.5	12.5	15	20	25	32	38	50
L		50	50	62	70	80	93	103	125
H		122	122	122	122	122	147	168	168
K		120	120	125	130	135	155	180	195

注: 此外形尺寸是根据控制气源5bar时选型



B 型 TYPE B

■ 技术参数 Technical Data

公称压力 Nominal pressure: 6.9Mpa(1000Psi)
 适用温度 Applicable temperature: -20~180°C
 阀体阀盖 Body and Bonnet: CF8(304) or CF8M(316)
 球体 Bal: CF8(304) or CF8M(316)
 阀杆 Stem: 304 or 316
 填料和密封圈 Sealing and Packing: 聚四氟乙烯 (PTFE)
 螺纹连接 Thread end: BSP, BSPT, DIN2999, NPT
 控制型式 Control type: 双作用 Double acting
 (若选用单作用控制形式, 需另选型)

■ 主要外形尺寸 Main Dimension (For 5bar)

B型Type B

ITEM	SIZE	DN8	DN10	DN15	DN20	DN25	DN32	DN40	DN50
G		1/4"	3/8"	1/2"	3/4"	1"	1 1/4"	1 1/2"	2"
D		12.5	12.5	15	20	25	32	38	50
L		50	50	62	70	80	93	103	125
H		142	142	142	146	146	146	168	168
K		105	105	108	145	150	165	190	205

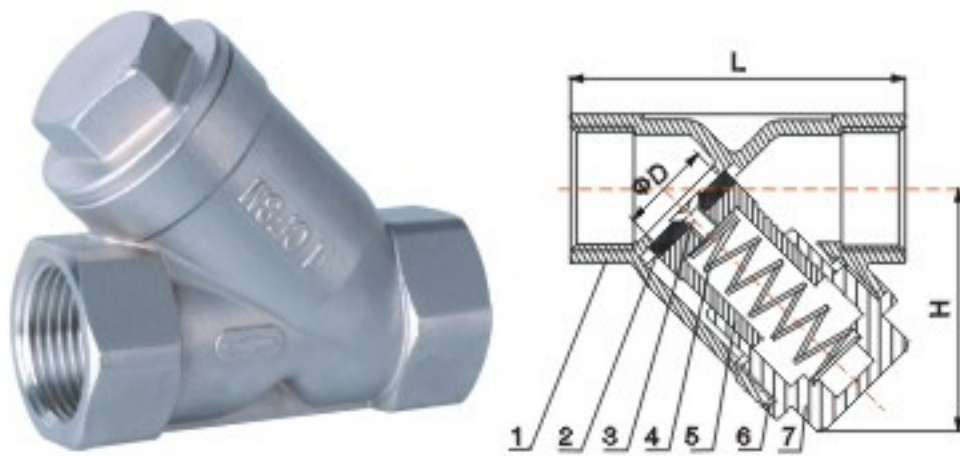
注: 此外形尺寸是根据控制气源5bar时选型

Check Valve 止回阀



Y-Spring Check Valve(PN55) Y型弹簧止回阀

Model:500 001



■ 零件清单 Part List

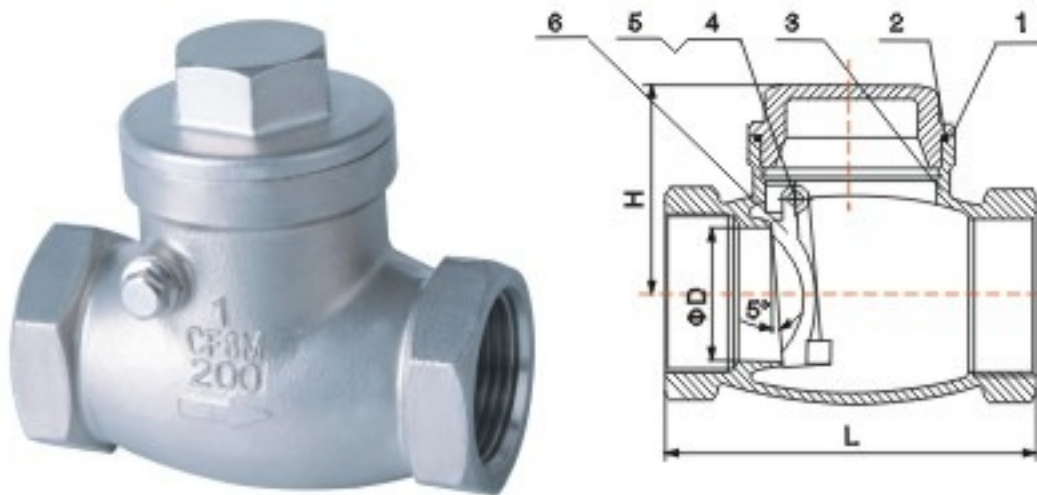
序号 No.	名称 Name	材质 Material
1	阀体 Body	CF8/CF8M
2	阀芯密封垫 Seat	PTFE
3	沉头螺钉 Sunk Screw	316
4	弹簧 Spring	304
5	滑套 Sleeve	CF8/CF8M
6	阀盖密封垫 Gasket	PTFE
7	阀盖 Bonnet	CF8/CF8M

■ 主要外形尺寸 Main Dimension

SIZE	1/4"	3/8"	1/2"	3/4"	1"	1 1/4"	1 1/2"	2"
ΦD	14	14	14	20	25	32	40	50
H	44	44	44	52	65	70	78	90
L	65	65	65	80	90	105	120	138

Swing Check Valve(PN16) 旋启式止回阀

Model:500 002



■ 零件清单 Part List

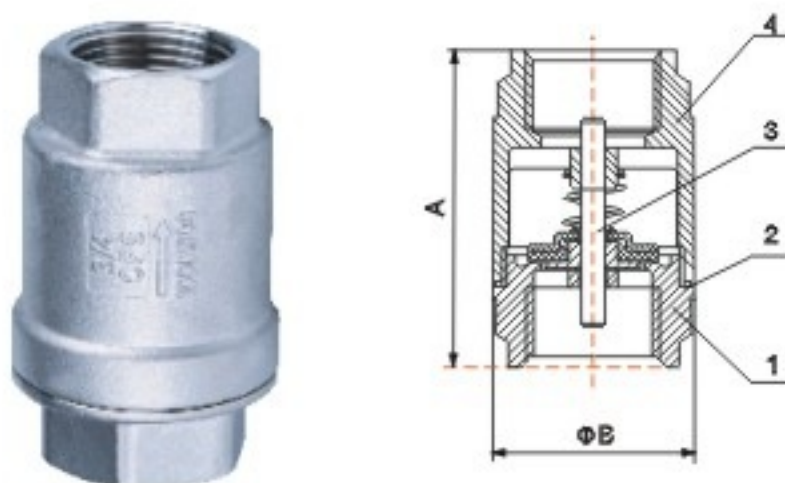
序号No.	名称 Name	材质 Material
1	阀盖 Bonnet	CF8/CF8M
2	阀盖密封垫 Gasket	PTFE
3	阀体 Body	CF8M
4	销 Pin	304
5	塞垫 Plug gasket	RPTFE
6	螺塞 Plug	304
7	阀瓣 Disc	CF8M

■ 主要外形尺寸 Main Dimension

SIZE	1/2"	3/4"	1"	1 1/4"	1 1/2"	2"
ΦD	15	20	25	32	38	50
L	65	80	90	105	120	140
H	43	53	60	60	75	79

2-PC Spring Vertical Check Valve(PN63) 二片式弹簧立式止回阀

Model:500 003



■ 零件清单 Part List

序号No.	名称 Name	材质 Material
1	阀盖 Bonnet	CF8/CF8M
2	阀盖密封垫 Gasket	PTFE
3	阀杆 Stem	304/316
4	阀体 Body	CF8M

■ 主要外形尺寸 Main Dimension

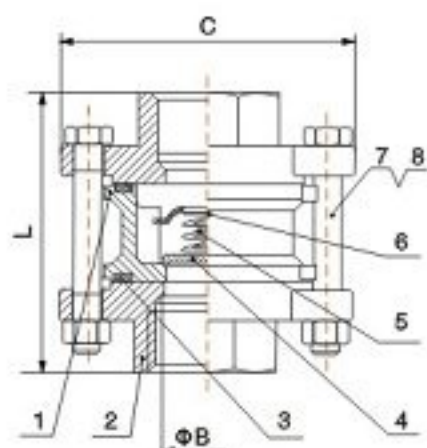
SIZE	1/2"	3/4"	1"	1 1/4"	1 1/2"	2"
A	61	70	82	88	100	119
ΦB	37	42	49	57	72	81

Check Valve 止回阀



3-PC Spring Vertical Check Valve 三片式弹簧立式止回阀

Model:500 004



零件清单 Part List

序号 No	名称 Name	材质 Material
1	阀体 Body	CF8/CF8M
2	阀盖 Bonnet	CF8M
3	阀座 Seal	PTFE
4	阀瓣 Disc	304
5	弹簧 Spring	304
6	螺塞 Plug	304
7	螺栓 Bolt	304
8	螺母 Nut	304

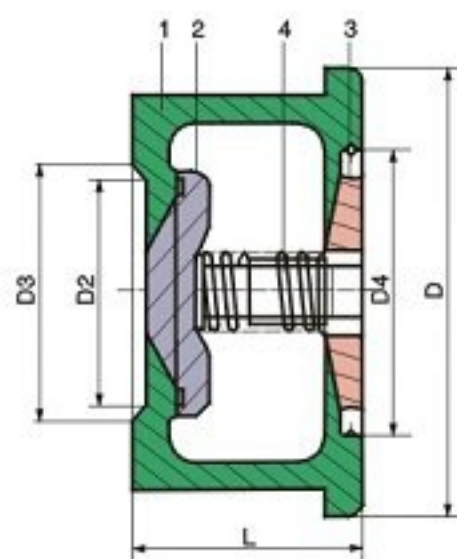
主要外形尺寸 Main Dimension

SIZE	1/4"	3/8"	1/2"	3/4"	1"	1 1/4"	1 1/2"	2"	2 1/2"	3"	4"
B	8	10	15	20	25	32	40	50	65	80	100
C	56	56	65	70	78	86	102	118	145	158	185
L	61	61	69	74	80	95	101	114	136	146	174

500 系列 500 Series

Wafer Type Disc Check Valve (PN16,PN25,PN40) 对夹升降式止回阀

Model:500 005



零件清单 Part List

序号 Item	品名 Designation	材质 Material
1	阀体 Body	碳钢、不锈钢 CS,CF8, CF8M
2	阀板 Disc	不锈钢 CF8, CF8M
3	挡板 Holder	碳钢, 不锈钢 CS,CF8, CF8M
4	弹簧 Spring	不锈钢 304,316

主要外形尺寸 Main Dimension

Size	15	20	25	32	40	50	65	80	100	125	150	200	250
L	25	25	30	32	38	45	50	60	75	85	102	110	146
D	52	62	72	83	93	108	128	142	162	192	218	273	329

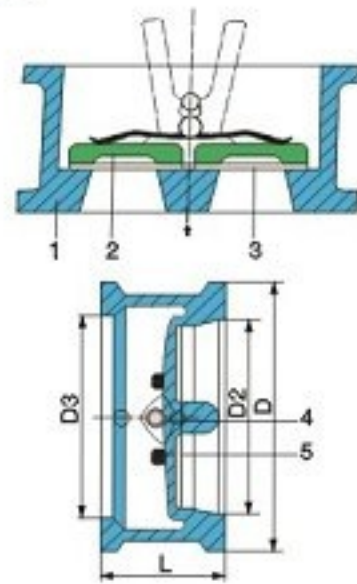
Check Valve 止回阀



Wafer Type Dual Disk Check Valve (PN16,PN25,PN40)

对夹双瓣旋启式止回阀

Model:500 006



零件清单 Part List

序号 Item	品名 Designation	材质 Material
1	阀体 Body	不锈钢 CF8, CF8M,
2	阀板 Disc	不锈钢 CF8, CF8M
3	阀座 Seat	三元乙丙 EPDM
4	阀轴 Holder	不锈钢 Stainless Steel (304or316)
5	弹簧 Spring	不锈钢 Stainless Steel (304or316)

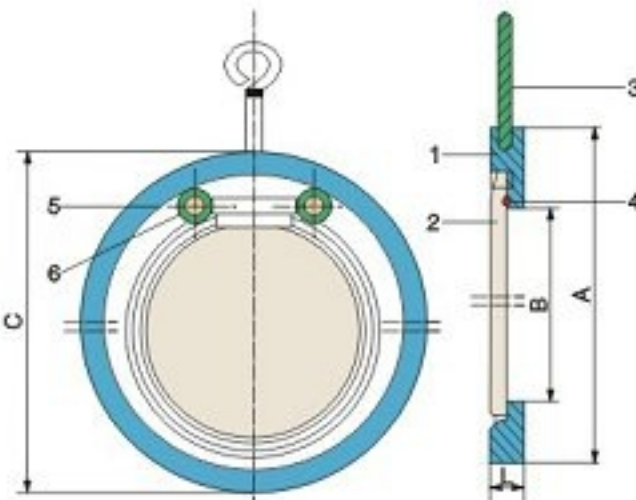
主要外形尺寸 Main Dimension PN16

Size	50	65	80	100	125	150	200	250	300	350	400	450	500	600
L	60	67	73	73	86	98	127	146	181	184	191	203	219	222
D	108	128	142	162	192	218	273	329	384	444	496	556	618	732
D2	51	65	80	102	127	152	203	254	305	350	400	450	500	600
D3	56	73	88	108	132	160	210	266	310	355	405	455	505	605

Wafer Type Swing Check Valve (PN16,PN25,PN40)

对夹单瓣旋启式止回阀

Model:500 007



零件清单 Part List

序号 Item	品名 Designation	材质 Material
1	阀体 Body	碳钢、不锈钢 CS,CF8, CF8M
2	阀板 Disc	碳钢、不锈钢 CS,CF8, CF8M
3	吊环 Eye Bolt	电镀碳钢 Carbon Steel Plated
4	O型圈 O-Ring	氟橡胶、丁晴橡胶、三元乙丙 FKM,NBR,EPDM
5	螺钉 Bolt	不锈钢 SS304, SS316
6	垫圈 Washer	氟橡胶、丁晴橡胶、三元乙丙 FKM,NBR,EPDM

主要外形尺寸 Main Dimension PN16

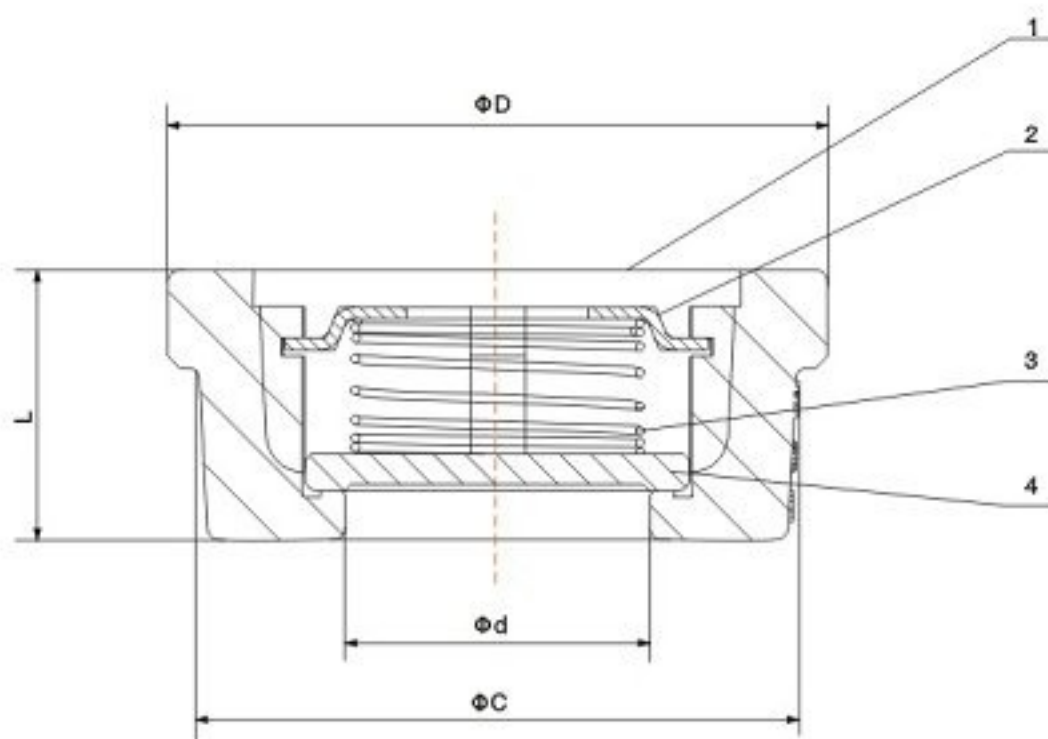
Size	40	50	65	80	100	125	150	200	250	300
B	24	28	45	55	76	93	118	160	200	230
A	93	108	128	142	162	192	218	273	329	385
L	16	16	16	16	16	16	19	28	29	38
C	75	91	111	125	143	170	195	252	305	350

Check Valve 止回阀



Wafer type Disc check valve 对夹升降式止回阀

Model:500 008



■ 技术参数 Technical Data

法兰标准: DIN PN16、25、40
ANSI 150/300Lbs
结构长度: DIN3202-K4
压力等级: PN40
材 料: CF8/CF8M

Flange standards: DIN PN16,25,40
ANSI 150/300Lbs
Structure length: DIN3202-K4
Pressure level: PN40
Material: CF8 CF8M

ITEM \ SIZE	DN15	DN20	DN25	DN32	DN40	DN50	DN65	DN80	DN100
最小开启压力 (mbar) MIN Control pressure	35	35	35	35	35	35	35	35	35
两端压差0.1bar 时的流量系数Kv(m ³ /h)	0.45	0.75	1.2	1.8	2.6	4.2	5.8	9.5	15

■ 主要外形尺寸 Main Dimension

ITEM \ SIZE	DN15	DN20	DN25	DN32	DN40	DN50	DN65	DN80	DN100
D	39	46	54	70	80	94	112	132	150
d	15	20	25	32	40	46	62	75	86
C	34	40	50	62	70	85	100	120	140
L	16	19	22	28	32	40	46	50	60

■ 零件清单 Part List

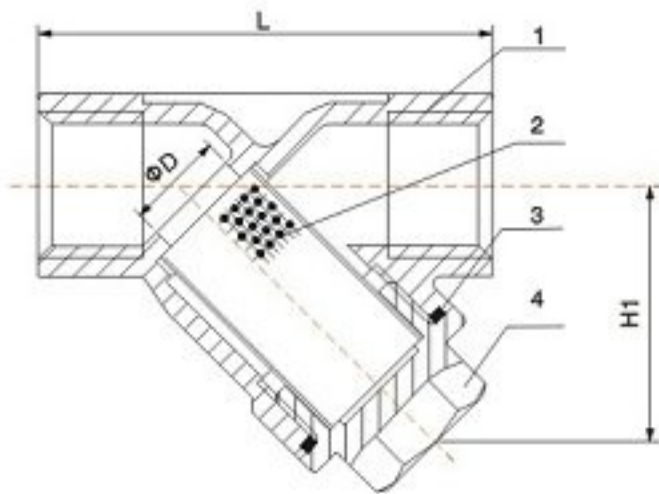
序号 Item	品名 Designation	材质 Material
1	阀体 Body	CF8/CF8M
2	压盖 Segment	316
3	弹簧 Spring	304/316
4	阀板 Disc	CF8/CF8M

Y-TYPE Strainer Y型过滤器



Single Cap type 单帽过滤器

Model:600001



■ 技术参数 Technical Data

公称压力: 5.5MPa
Nominal pressure:5.5MPa

■ 零件清单 Part List

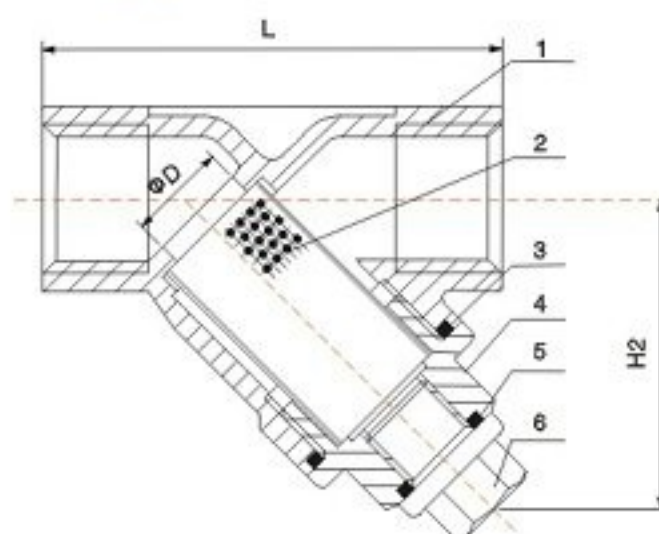
1	阀体 Body	CF8M/CF8
2	滤网 Screen	304(Wired or perforated mesh)
3	阀盖密封垫 Gasket	PTFE
4	阀盖 I Cover	CF8M/CF8

■ 主要外形尺寸 Main Dimension

SIZE ITEM	1/4"	3/8"	1/2"	3/4"	1"	1 1/4"	1 1/2"	2"	3"
D	14	14	14	20	25	32	40	50	80
H1	37	37	37	45	54	59	66	77	118
L	65	65	65	80	90	105	120	138	210

Double Cap type 双帽过滤器

Model:600002



■ 技术参数 Technical Data

公称压力: 5.5MPa
Nominal pressure:5.5MPa

■ 零件清单 Part List

1	阀体 Body	CF8M/CF8
2	滤网 Screen	304(Wired or perforated mesh)
3	阀盖密封垫 Gasket	PTFE
4	阀盖 II Cover	CF8M/CF8
5	丝堵密封垫 Bolt Seal	PTFE
6	丝堵 Discharge Plug	CF8M/CF8

■ 主要外形尺寸 Main Dimension

SIZE ITEM	1/4"	3/8"	1/2"	3/4"	1"	1 1/4"	1 1/2"	2"	3"
D	14	14	14	20	25	32	40	50	80
H2	44	44	44	52	63	67	74	86	128
L	65	65	65	80	90	105	120	138	210

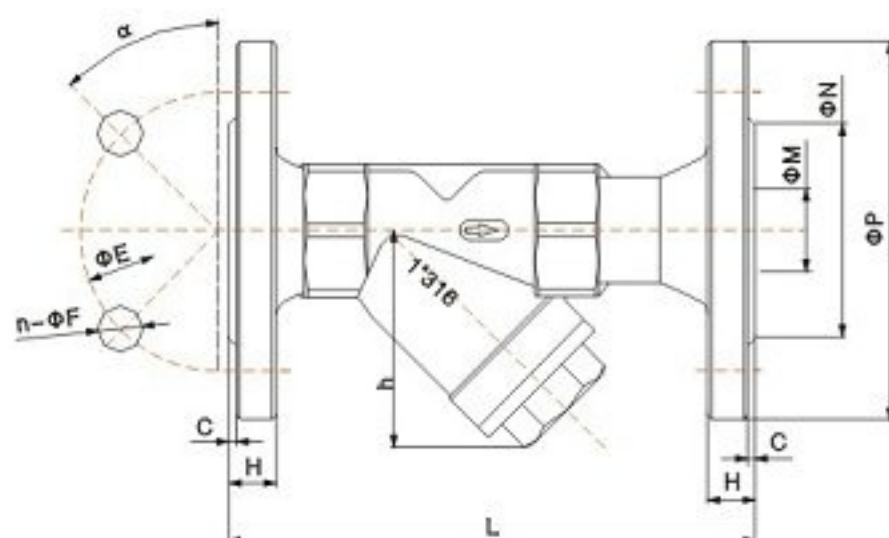
Y-TPFE Flange Ends Strainer

Y型法兰过滤器，过滤排污阀



法兰过滤器

Model:600003



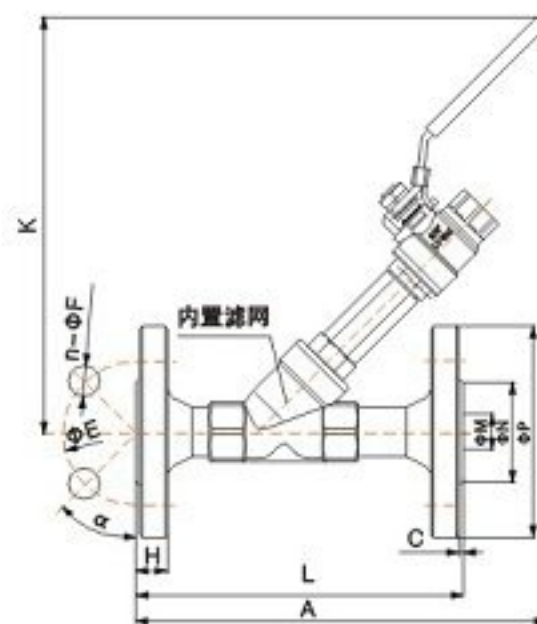
法兰标准: JB/T82.1-1994; 可根据客户要求定制ISO/DIN/JIS等标准
Flange specification: JB/T82.1-1994; ISO/DIN/JIS is also available

■ 主要外形尺寸 Main Dimension

规格 Size	L	C	H	h	ΦE	n-ΦF	ΦM	ΦN	ΦP	α
DN15	145	2	14	37	65	4-14	16	45	95	45°
DN20	155	2	14	45	75	4-14	20	56	105	45°
DN25	155	2	14	54	85	4-14	25	65	115	45°
DN32	185	2	16	59	100	4-18	32	78	140	45°
DN40	200	3	16	66	110	4-18	36	84	150	45°
DN50	215	3	16	77	125	4-18	49	100	165	45°
DN80	315	3	20	118	160	4-18	78	135	200	22.5°

过滤排污阀

Model:600004



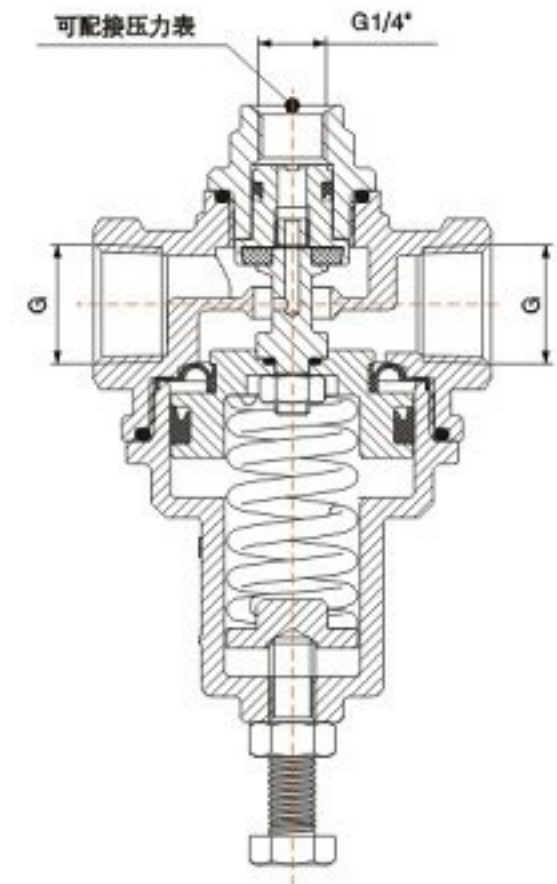
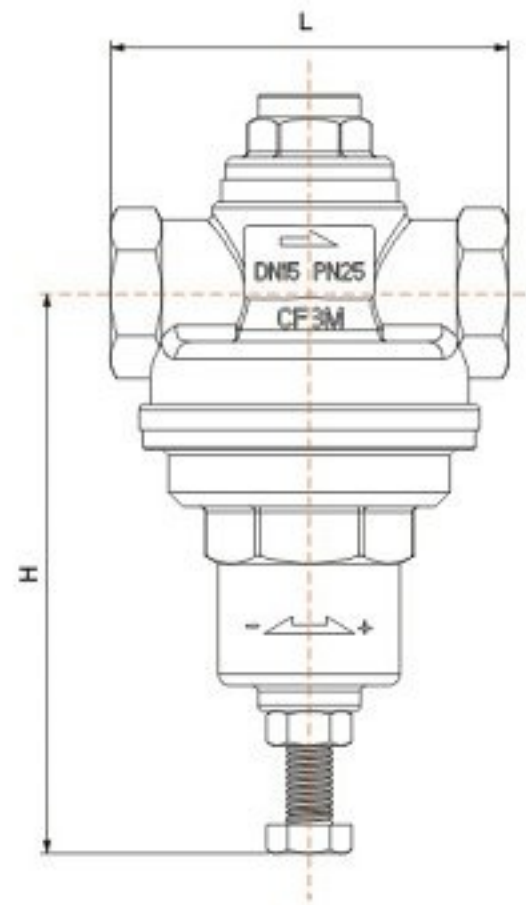
法兰标准: JB/T82.1-1994; 可根据客户要求定制ISO/DIN/JIS等标准
Flange specification: JB/T82.1-1994; ISO/DIN/JIS is also available

■ 主要外形尺寸 Main Dimension

规格 Size	L	C	H	ΦE	ΦF	ΦM	ΦN	ΦP	A	K	α
DN15	145	2	14	65	4-14	16	45	95	256	205	45°
DN20	155	2	14	75	4-14	20	56	105	270	215	45°
DN25	155	2	14	85	4-14	25	65	115	280	235	45°
DN32	185	2	16	100	4-18	32	78	140	300	240	45°
DN40	200	3	16	110	4-18	36	84	150	310	250	45°
DN50	215	3	16	125	4-18	49	100	165	320	260	45°
DN80	315	3	20	160	8-18	78	135	200	385	300	22.5°

Pressure Reducing Valve 减压阀

ESG®



■ 阀门特点

- 1、阀门部件全部用不锈钢CF8M材质制作，适用于水，弱酸弱碱等流体；
- 2、阀门采用活塞式与膜片式相结合的结构设计，提高了阀门使用寿命；
- 3、结构简单，反应灵敏，调压准确。

■ 技术参数

公称压力：PN25
 调压范围：1-6bar、4-10bar、8-13bar共3种
 介质温度：-15--+100°C
 密封材质：氟橡胶FPM
 阀门状态：常开
 连接形式：螺纹连接

■ Advantages

1. Valve body is made by Stainless Steel CF8M, suitable for fluid, air
2. Design of piston and diaphragm improves the inability of sustaining pressure and leakage.
3. When the outlet pressure responds directly to the pressure control chamber and adjusts the setting pressure, it responds quickly and adjusts the pressure accurately.

■ Technical Data

Nominal Pressure: PN25
 Pressure Adjusting Range : 1-6bar、4-10bar、8-13bar
 Fluid Temperature: -15--+100°C
 Seals Material: FPM
 Normally Open
 Connection: Thread(BSP,BSPT,NPT)

■ 主要外形尺寸 Main Dimension

规格 Size	G	H	L	流量值Kv(m ³ /h)
DN15	1/2"	100	70	2.1
DN20	3/4"	100	85	7.7
DN25	1"	105	92	9.4

700 系列 700 Series

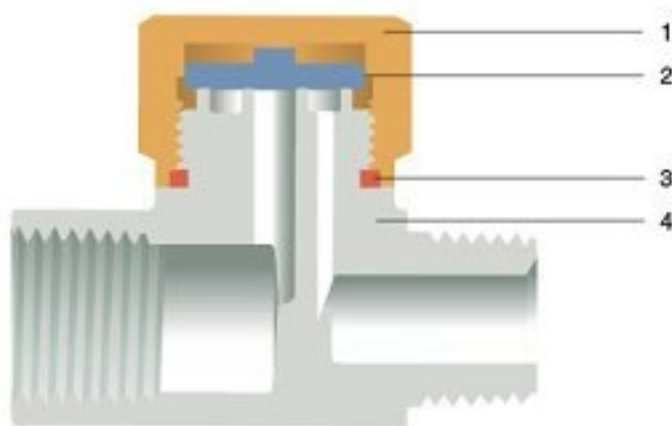
Thermodynamic Steam Trap

热动力型蒸汽疏水阀



■ DN8特点 Advantages

- | | |
|-------------------|---|
| 1、超微型圆盘疏水阀，工作效率高。 | 1.Small and compact structure, more efficient |
| 2、节能显著，能耗降低40%。 | 2.Economic performance, energy saving by 40%。 |
| 3、体积小，可任意位置安装。 | 3.High durability, easy to maintain. |
- 适用于：蒸汽熨斗及仪表伴热管线
Application: Drip legs, steam tracing, laundry equipment.



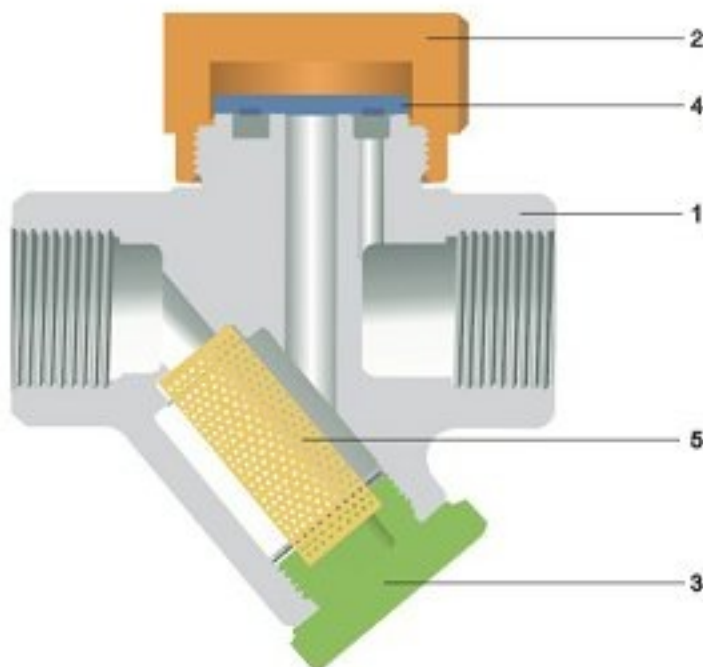
■ DN8剖面图 DN8 Section

序号NO	名称 Name	材质 Material
1	阀盖 Cover	Stainless steel 304(CF8)
2	阀片 DisK	Stainless steel 420
3	O型圈 O-Ring	硅橡胶 Silicon rubber
4	阀体 Body	Stainless steel 304 (CF8)



■ DN15/20/25特点 Advantages

- | | |
|--------------------|---|
| 1、外形精美，设计紧凑。 | 1.Compact structure. |
| 2、不锈钢阀体和内件，经久耐用。 | 2.High durability due to the body and inner parts are stainless steel. |
| 3、高精磨阀片和阀座延长了使用寿命。 | 3.Spare parts are available and easy to maintain. |
| 4、易于保养维修。 | Application: Steam pipelines, iron machines, drying units, pressing units |
- 适用于：低、中、高压力和温度范围内的蒸汽主管和小型设备等。



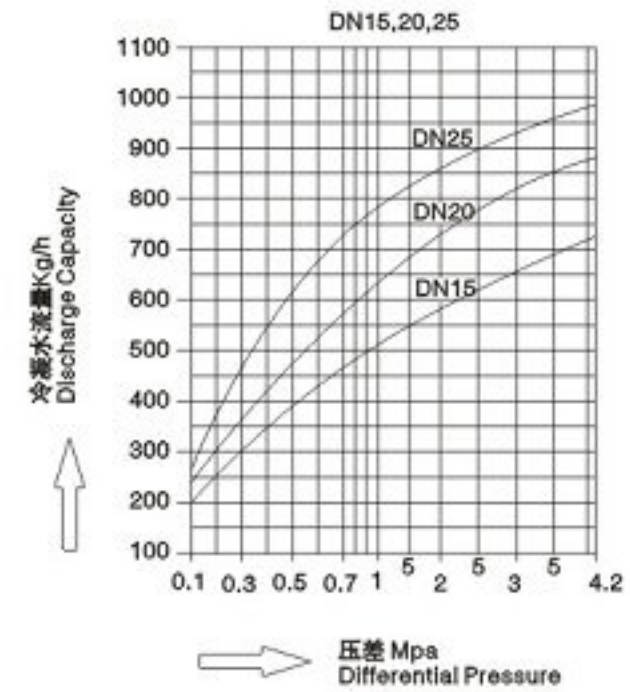
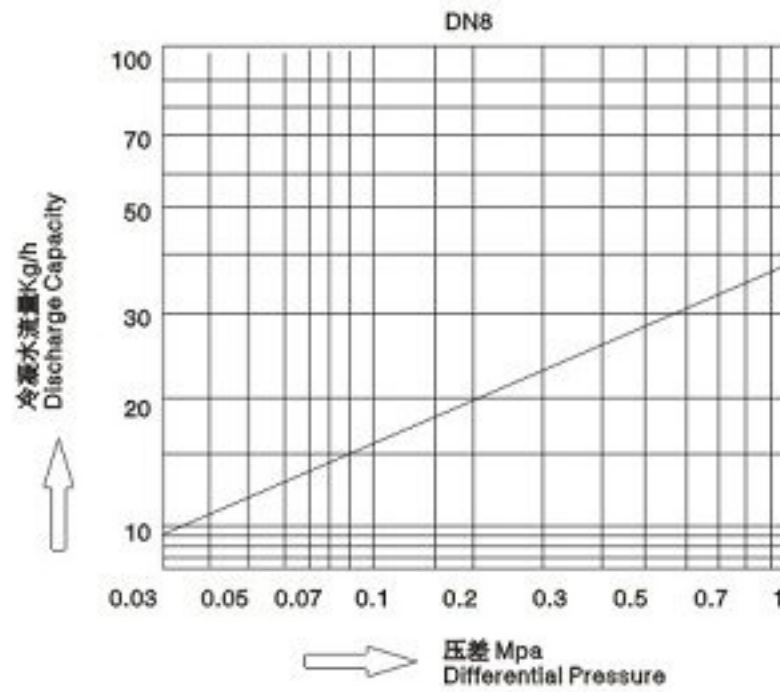
■ DN15/20/25剖面图 DN15/20/25 Section

序号NO	名称 Name	材质 Material
1	阀体 Body	ASTM CA40
2	阀盖 Cover	Stainless steel 304(CF8)
3	丝堵 Discharge Bolt	Stainless steel 304(CF8)
4	阀片 Disk	Stainless steel 420
5	滤网 Strainer Screen	Stainless steel 304

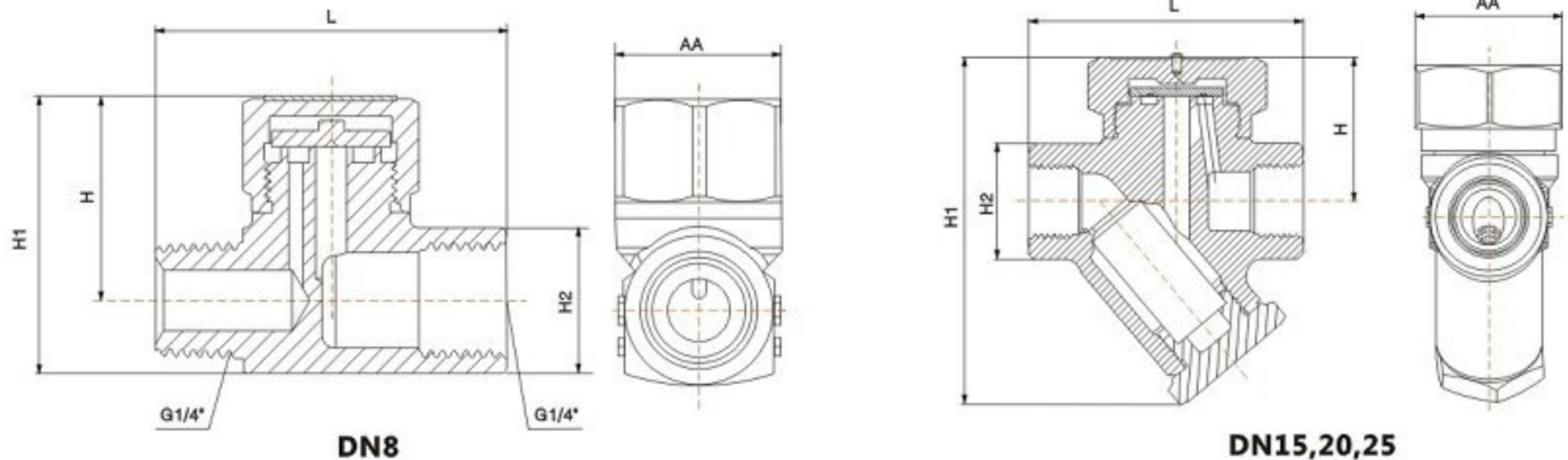
Thermodynamic Steam Trap 热动力型蒸汽疏水阀



■ 排量图 Discharge Capacity

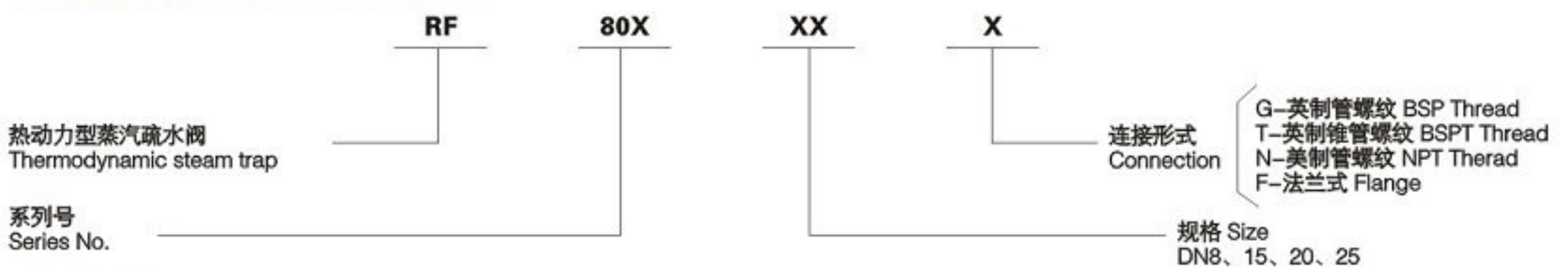


■ 主要外形尺寸 Main Dimension



规格 Size	接口尺寸 Thread end	尺寸 Dimension(mm)					工作压力 Operating Pressure (Mpa)	最高工作温度 (°C) Max. Operating Temp	重量 Weight(kg)
		L	H	H1	H2	AA			
DN8	1/4"	40	23	31	16.5	18	0.03-1.0 0.15-4.2	200 400	0.07
DN15	1/2"	78	40	99.6	33	44			0.9
DN20	3/4"	90	49.2	109.2	39	48			1.2
DN25	1"	95	57.5	121.6	45	56			1.7

■ 订货说明 Order Instruction

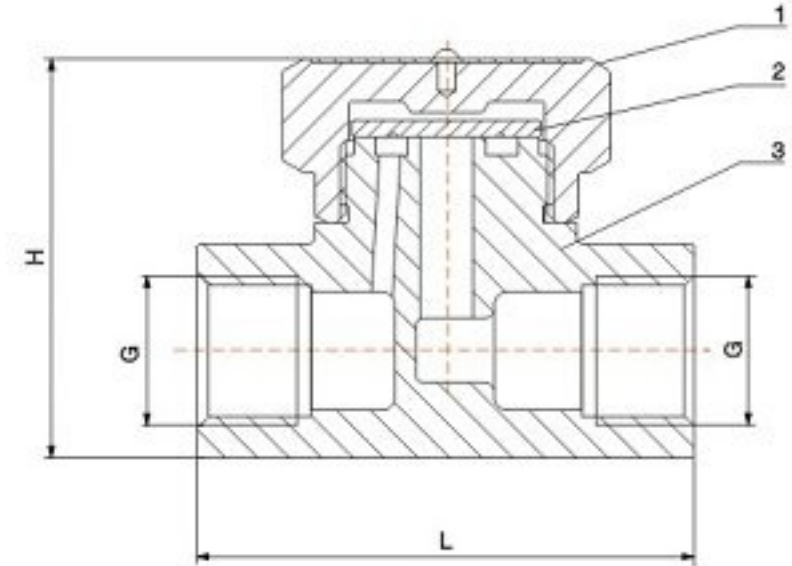
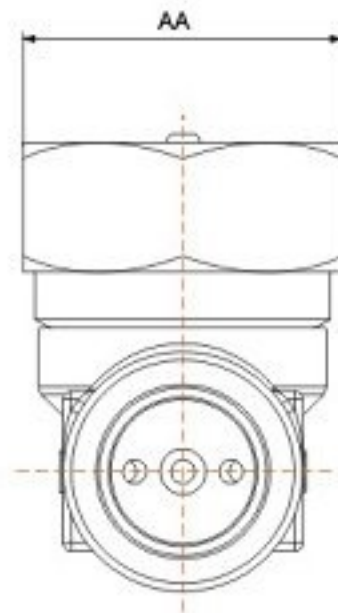


示例:RF 80025G
表示疏水阀系列号800规格为DN25连接形式为英制管螺纹
Example: RF800 25G means: Steam Trap, Series 800, DN25, BSP thread.

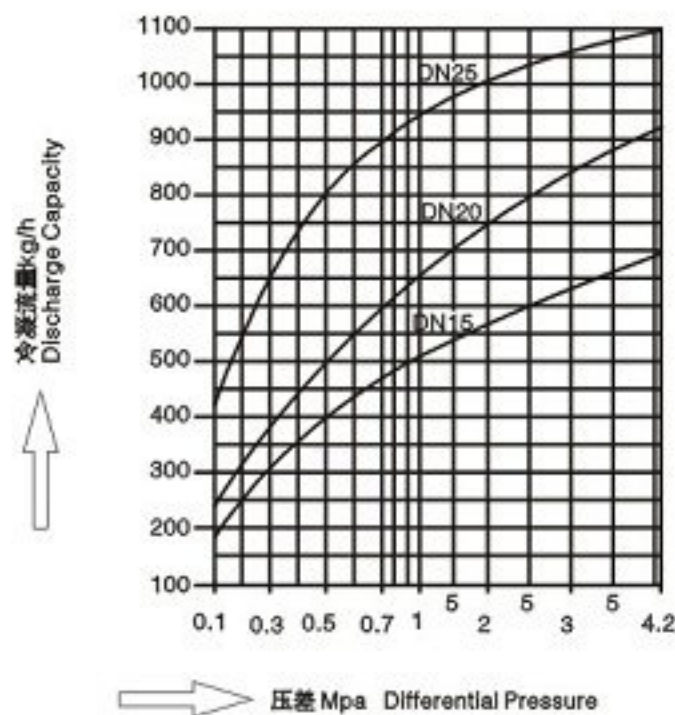
800 系列 800 Series

Thermodynamic Steam Trap

热动力型蒸汽疏水阀



■ 排量图 Discharge Capacity



序号 NO	名称 Name	材质 Material
1	阀盖 Cover	Stainless Steel 304(CF8)
2	阀片 Disk	Stainless Steel 420
3	阀体 Body	ASTM CA40

■ 特点

- 1、外形精美，设计紧凑
 - 2、不锈钢阀体和内件，经久耐用。
 - 3、高精磨阀片和阀座延长了使用寿命。
 - 4、易于保养维修。
- 适用于：低、中、高压力和温度范围内的蒸汽主管和小型设备等。

■ Advantages

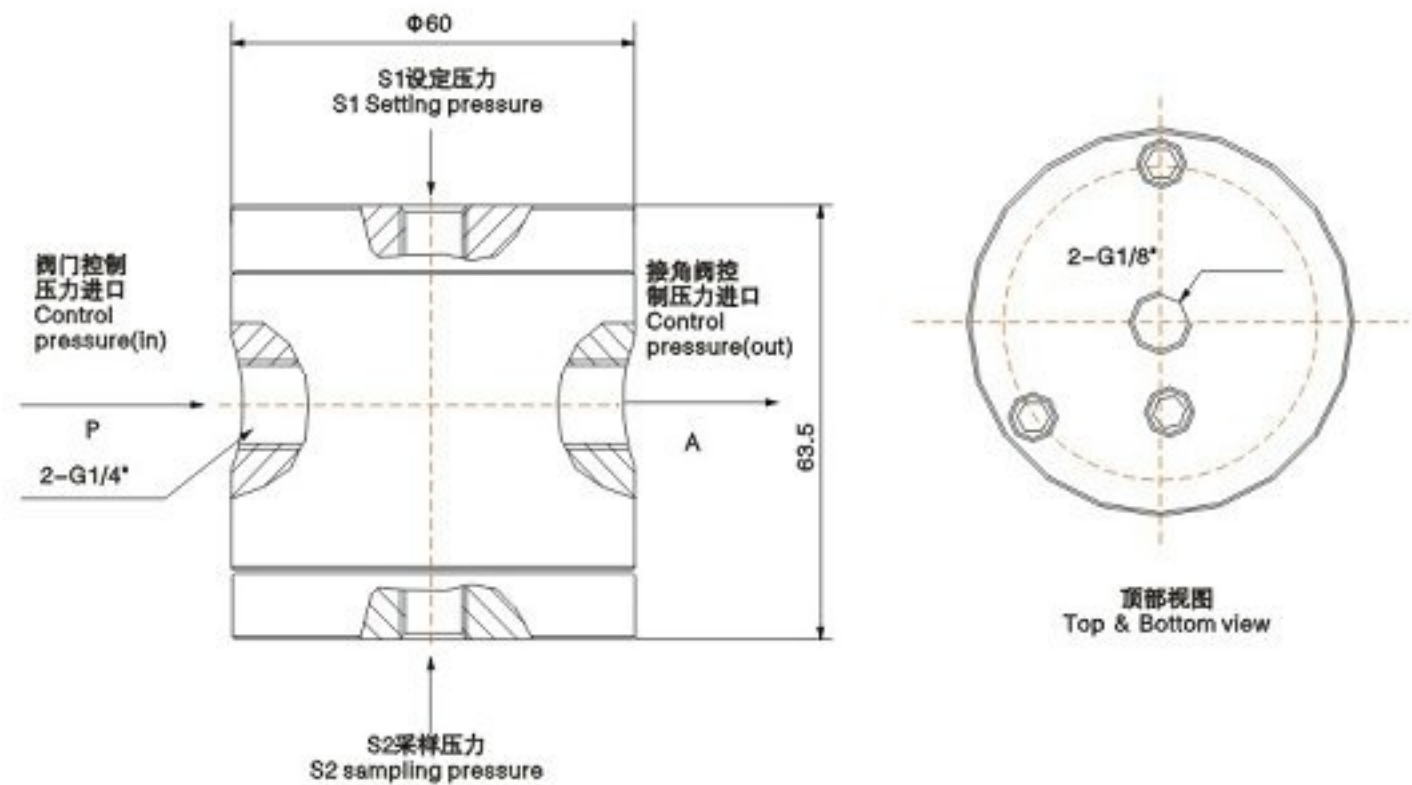
- 1.Compact structure.
 - 2.High durability due to the body and inner parts are stainless steel.
 - 3.Spare parts are available and easy to maintain.
- Application: Steam pipelines, iron machines, drying units, pressing units.

■ 主要外形尺寸 Main dimension

规格 Size	G	L	H	AA	工作压力 (MPa) Operating Pressure	最高工作温度 (°C) Max Operating Temp.	重量 Weight(kg)
DN15	1/2"	41	70	40	0.25-4.2	400	0.5
DN20	3/4"	43	80	44			0.8
DN25	1"	52	89	55			1.25

Pneumatic Balancing Valve

气控平衡阀



■ 工作原理 Function Principle

本气动平衡阀，通过S2端口压力的变化（S1端口压力恒定），控制A端气源的输出，从而自动控制与之相连阀门（例如：角阀座）的开关，使设备随工作压力的变化自动调整，保证设备工作压力的稳定。

The balancing valve, could automaticly control the connected angle seat valve's open and close, to keep a certain working pressure of the equipment. First, set a certain air pressure for the S1 port, then the air pressure of S2 port will change from time to time; when $(S1-S2) > 0.1 \text{ bar}$, the port A will open, the angle seat valve will be opened; when $(S2-S1) > 0.1 \text{ bar}$, the port A will close, the angle seat valve will be closed by spring force;

■ 阀门特点 Advantages

无需人工调整操作，可实现自动化控制；灵敏度高，压力变化达到 $\pm 0.01 \text{ MPa}$ ，平衡阀即可自动开关。

Automaticly adjusting and working, no other people or device needed High sensitivity, the pressure change change to $\pm 0.1 \text{ bar}$, balancing valve will auto switch

■ 技术参数 Techincal Data

接口尺寸:

P、A接口尺寸为: G1/4"

S1、S2接口尺寸为 "G1/8"

压力范围:

S1端设定压力: 0.02-0.4MPa, 用户可根据实际工况自行设定, 一般采用经过滤的压缩空气

S2端采样压力: $S1 \pm 0.01 \text{ Mpa}$ (来源于设备工作压力)

P、A两端压力: 根据与平衡阀相连阀门所需的控制压力而定, 一般采用经过滤的压缩空气

温度范围: 0-100°C

Port Size:

P,A:G1/4", S1,S2:G1/8"

Pressure range:

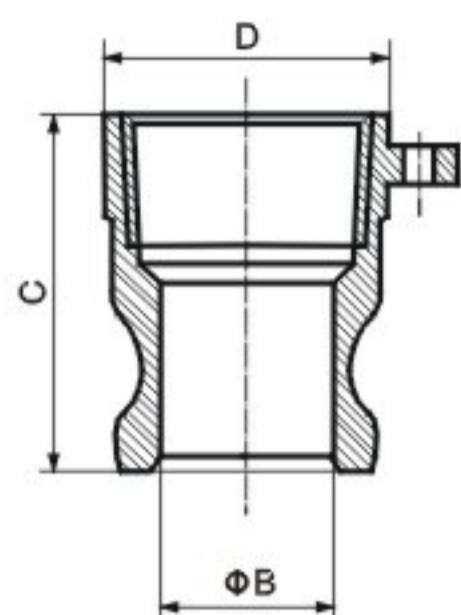
S1 port: setting pressure,0.2-4bar,you can set it on your request

S2 port: sampling pressure from equipment pipelines, will be in range $s1 \pm 0.1 \text{ bar}$

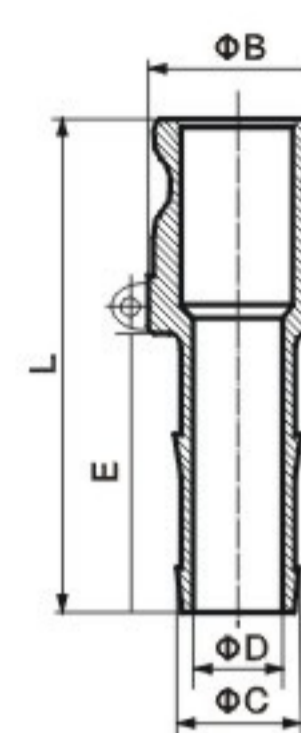
P,A port: according to the control pressure of the connected angle seat valve, normally 2-8bar

Temperature range:0-100°C

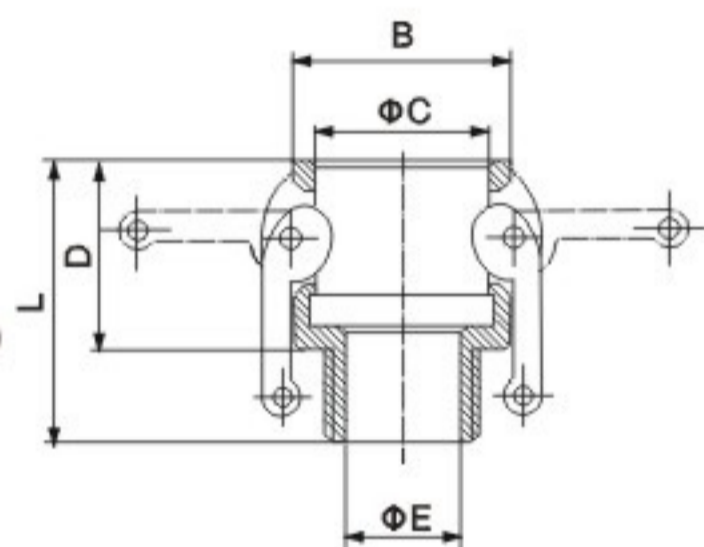
■ TYPE-A



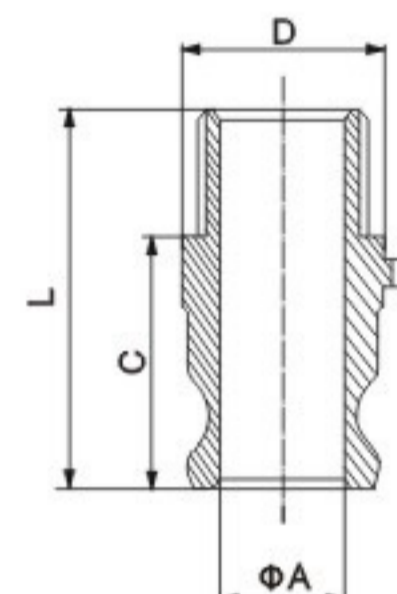
■ TYPE-E



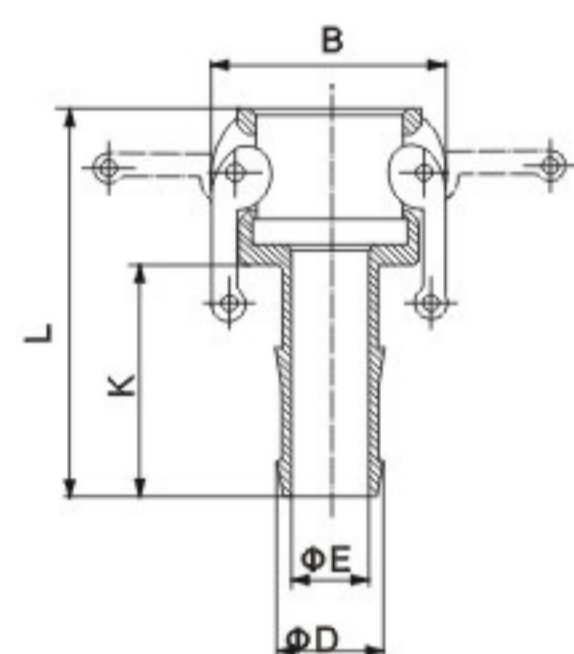
■ TYPE-B



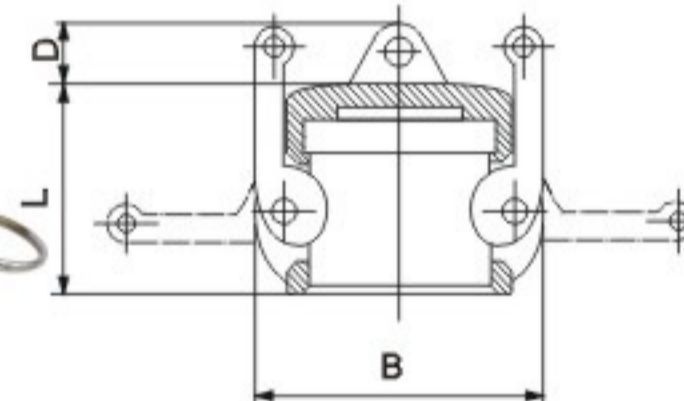
■ TYPE-F



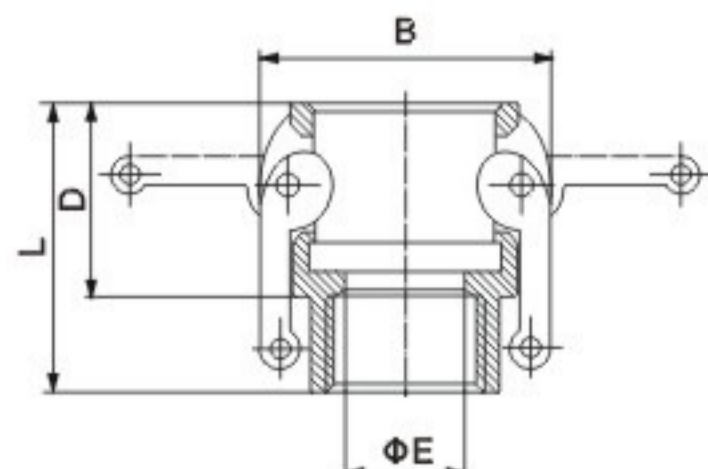
■ TYPE-C



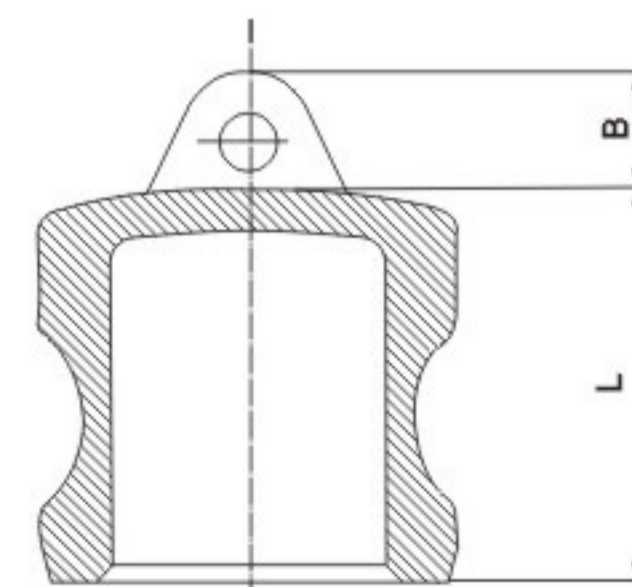
■ TYPE-DC



■ TYPE-D



■ TYPE-DP



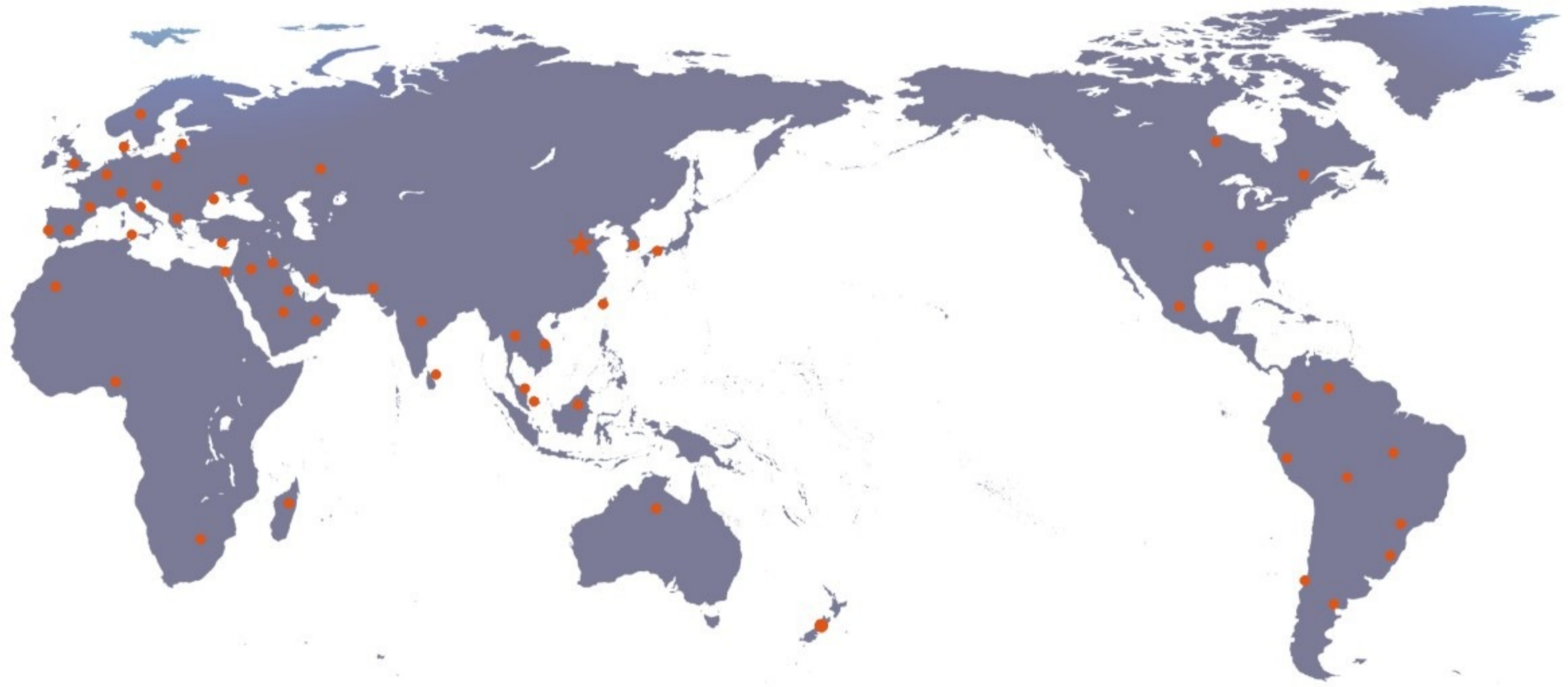
Note
备注



Lined area for writing notes, consisting of horizontal lines across the page.

备注 Note

ESG[®]



为世界，造好阀！

青岛精锐机械制造有限公司
Qingdao Elite Machinery Manufacture Co.,Ltd.

地址 Add : 青岛市即墨通济工业园金沙江一路15号
Tongji Industry Zone, Jimo, Qingdao, China
电话 Tel : +86-532-8251 5555, 8251 5988
+86-532- 8251 5557 (Export)
传真 Fax : +86-532- 8251 5983
网址 Website : www.esgvalve.com
邮箱 Email : info@esgvalve.com

ESG 微信公众号

