



Model Number

ECA30PL - PROFINET

Cable pull rotary encoder with PROFINET interface

Features

- Robust aluminum drum housing
- Drum travel when cable retracted using threaded spindle
- Bellows with steel tip
- Comprehensive accessories
- Housing can be coated as an option (Hart Coat)
- Rust and acid-resistant measuring cable
- PROFINET interface
- Free of wear magnetic sampling

Description

Flexible cable pull rotary encoder designed to meet tough requirements in all fields of application.

Technical Data

General specifications

Detection type	magnetic sampling
Device type	Premium Line with PROFINET interface
Measuring range	1000 ... 60000 mm
Construction type	80 mm, 130 mm, 190 mm
Resolution	Cable pull: Design 80 mm: 0,024 mm Design 130 mm: 0,041 mm Design 190 mm: 0,059 mm Encoder: 25 Bit (13 Bit/revolution)

Functional safety related parameters

B _{10d}	300000
------------------	--------

Electrical specifications

Operating voltage U _B	10 ... 30 V DC
No-load supply current I ₀	typ. 134 mA
Power consumption P ₀	approx. 4 W
Time delay before availability t _v	< 250 ms
Output code	binary code
Code course (counting direction)	adjustable

Interface

Interface type	PROFINET IO
Transfer rate	100 MBit/s

Connection

Connector	Ethernet : 2 x M12 x 1 socket, 4-pin, D-coded ; supply : M12 x 1 connector, 4-pin, A-coded
-----------	--

Standard conformity

Degree of protection	DIN EN 60529, IP65
Climatic testing	DIN EN 60068-2-3, no moisture condensation
Emitted interference	EN 61000-6-4:2007
Noise immunity	EN 61000-6-2:2005

Ambient conditions

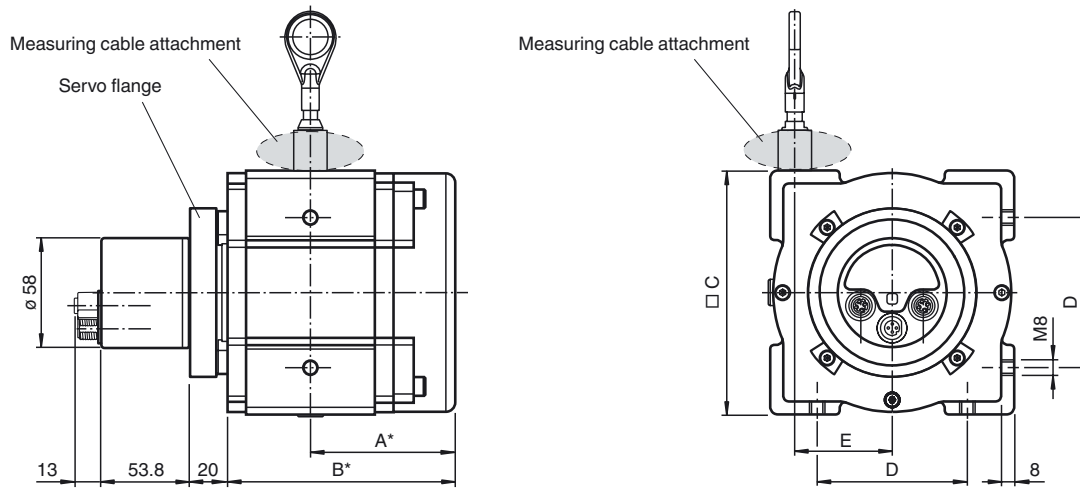
Ambient temperature	-30 ... 70 °C (-22 ... 158 °F)
Operating temperature	-30 ... 70 °C (-22 ... 158 °F)
Storage temperature	-30 ... 70 °C (-22 ... 158 °F)
Relative humidity	98 % , no moisture condensation

Mechanical specifications

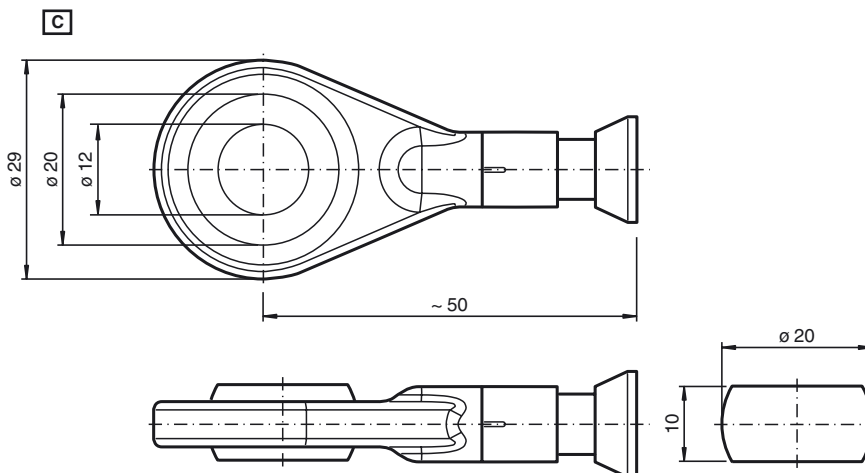
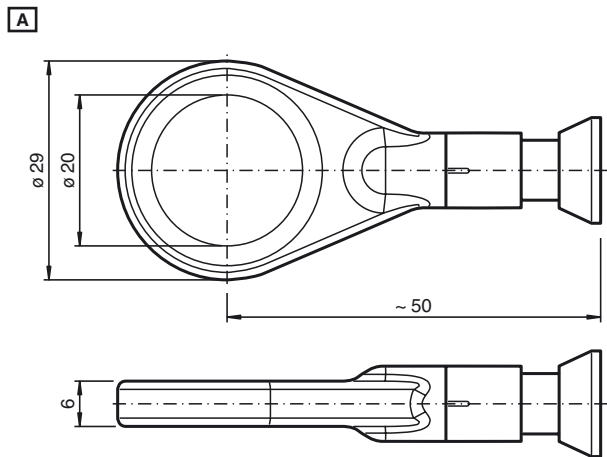
Rope diameter	1.35 mm
Bending radius	min. 17 mm
Breaking force	min. 1227 N
Material	
Cable pull	anodized aluminum or Aluminum with Hart Coat coating
Rotary encoder	housing: nickel-plated steel Flange: aluminum
Flange	Aluminum
Rope	Stainless steel 1.4401/316
Life span	up to 10 ⁶ Cycles

Dimensions

Details of variable specifications of designs and measuring length see chapter „Variable Data and Dimensions“

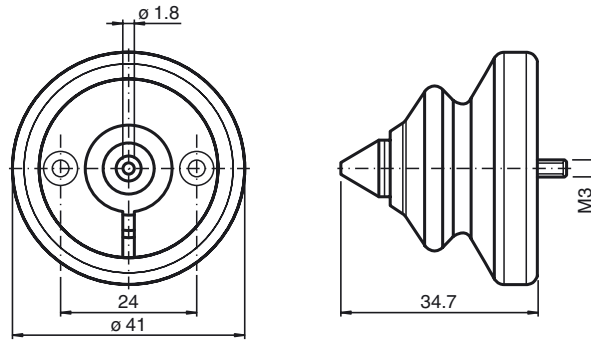


*depending on measuring length

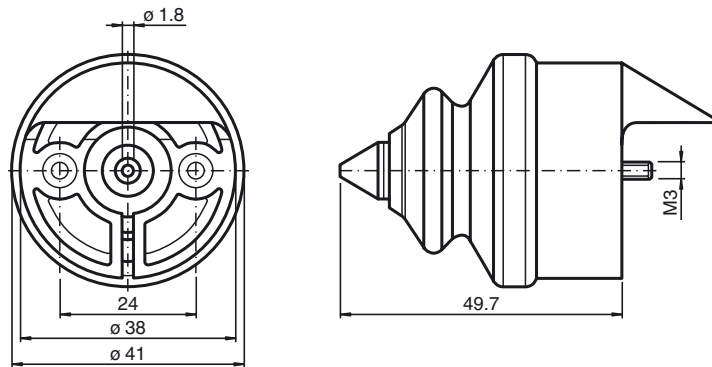


Release date: 2019-07-10 14:03 Date of issue: 2019-07-10 t183461_eng.xml

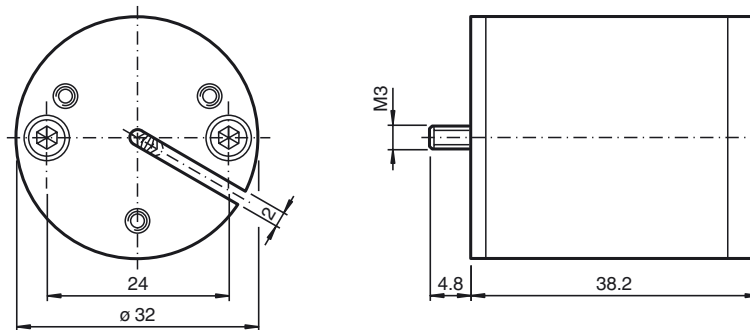
1 For design 130/190



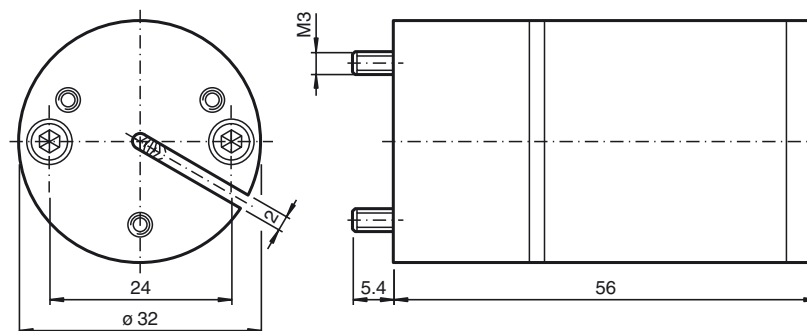
1 For design 80



2 For design 130/190



2 For design 80



Release date: 2019-07-10 14:03 Date of issue: 2019-07-10 1183461_eng.xml

Refer to "General Notes Relating to Pepperl+Fuchs Product Information".

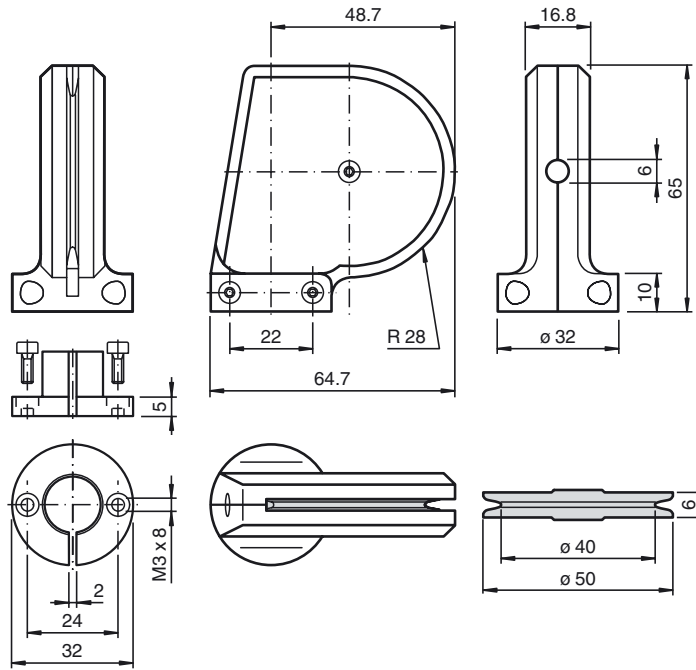
Pepperl+Fuchs Group
www.pepperl-fuchs.com

USA: +1 330 486 0011
fa-info@us.pepperl-fuchs.com

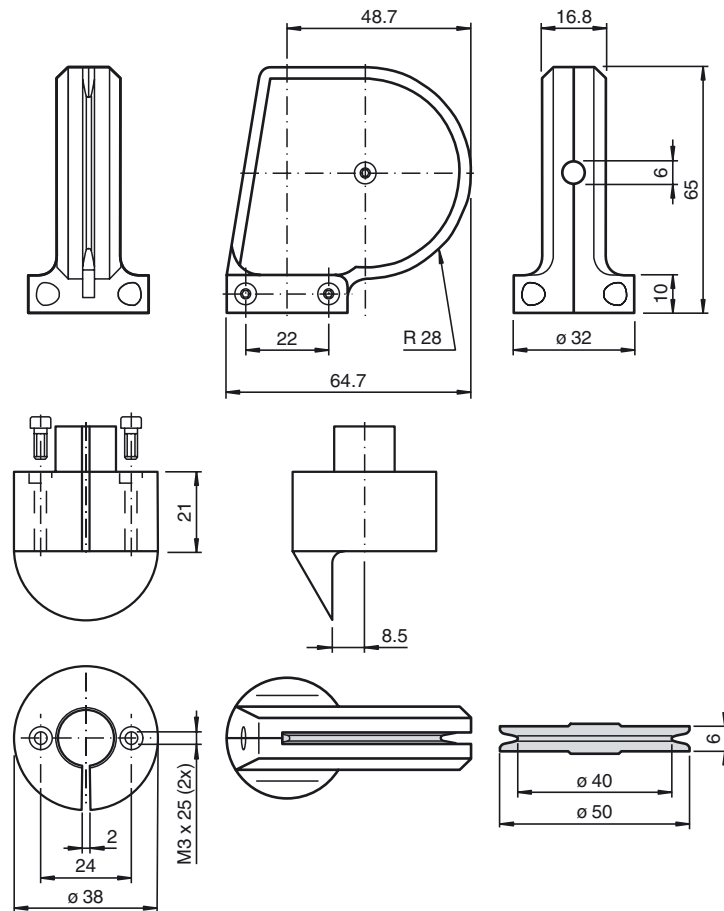
Germany: +49 621 776 1111
fa-info@de.pepperl-fuchs.com

Singapore: +65 6779 9091
fa-info@sg.pepperl-fuchs.com

4 For design 130/190



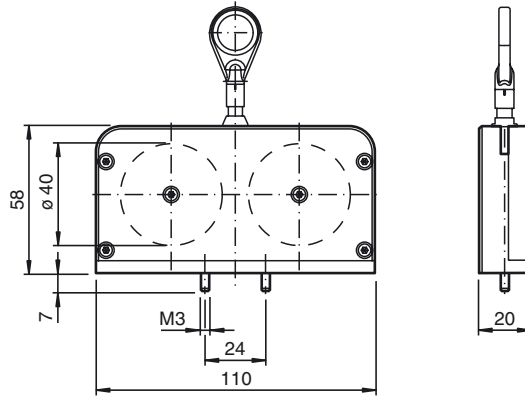
4 For design 80



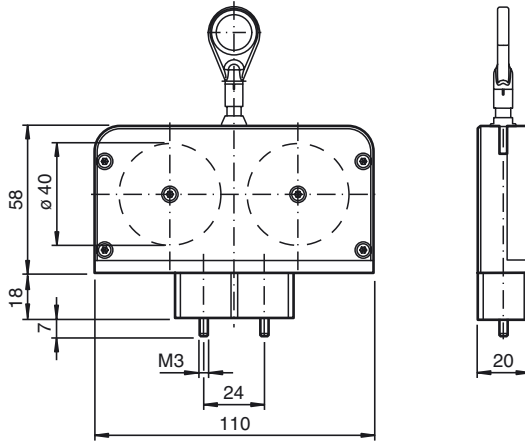
Release date: 2019-07-10 14:03 Date of issue: 2019-07-10 t183461_eng.xml



5 For design 130/190



5 For design 80



Release date: 2019-07-10 14:03 Date of issue: 2019-07-10 t183461_eng.xml

Refer to "General Notes Relating to Pepperl+Fuchs Product Information".

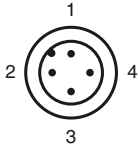
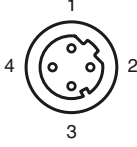
Pepperl+Fuchs Group
www.pepperl-fuchs.com

USA: +1 330 486 0001
fa-info@us.pepperl-fuchs.com

Germany: +49 621 776 1111
fa-info@de.pepperl-fuchs.com

Singapore: +65 6779 9091
fa-info@sg.pepperl-fuchs.com

Electrical connection

Pin	Male connector M12 x 1, 4-pin, A-coded	Female connector M12 x 1, 4-pin, D-coded
1	Supply voltage +U _B	Tx +
2	-	Rx +
3	0 V	Tx -
4	-	Rx -
		

Variable Data and Dimensions

Technical Data	Design 80			Design 130						Design 190			
Max. measuring length (in m)	01	02	03	05	10	15	20	25	30	35	40	50	60
Drum size (incl. cable) (in mm)	200			334,1						491,5			
Retraction speed (in m/s)	8			8		6		3		4			
Spring retraction force (in N)	5-15			10-21	15-21	10-21	15-21	10-21	15-21	18-37			
Weight (in kg)	0,9	1,1	1,5	2,5	3,5	5	6	7,5	8,5	16	20	14,5	15,5
Dimensions (in mm)													
A	34	42	60	77	124	147	193	216	262	188	203	195	210
B	57	72	98	122	190	236	304	350	418	315	346	292	322
C	80			130						190			
D	50			80						140			
E	31,5			52						79			

Measuring Cable Attachments

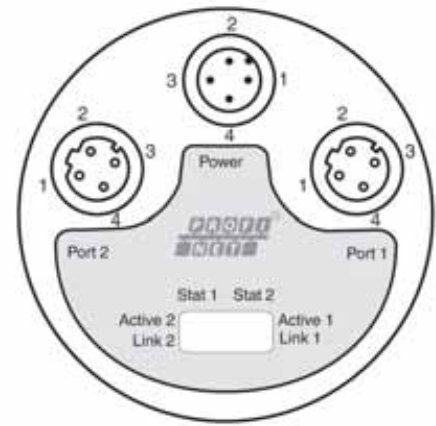
Dimensions (in mm)		Design 80		Design 130/design 190	
Attachment		Length	Width/Ø	Length	Width/Ø
1	Bellows	49.7	41/38	34.7	41
2	Brush attachment with bellows and steel tip	90.7	32	72.9	32
4	Guide pulley	86	32	70	32
5	Double guide pulley	110	58	110	58
		Design 80/130/190			
		Length			
8	Brush attachment + guide pulley	126		108.2	

Indicators

Diagnostic LEDs

LED	Color	Description for LED = ON
Active1	Yellow	Incoming and outgoing data traffic for port 1
Link1*	Green	Connection to other Ethernet devices on port 1
Active2	Yellow	Incoming and outgoing data traffic for port 2
Link2*	Green </td <td>Connection to other Ethernet devices on port 2</td>	Connection to other Ethernet devices on port 2
Stat1	Green	Status 1, details see table below
Stat2	Red	Status 2, details see table below

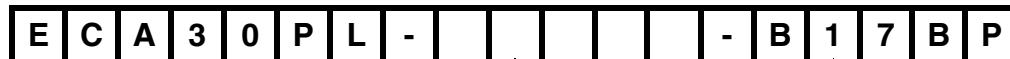
* flashes with 2 Hz if engineering identification call is activated and link connection is available



Stat1 (green)	Stat2 (red) bus failure	Meaning	Cause
off	off	No power	
on	on	No connection to another device Criteria: no data exchange	<ul style="list-style-type: none"> • bus disconnected • Master not available / switched off
on	flashes ¹⁾	Parameterization fault, no data exchange Criteria: data exchange correct. However, the slave did not switch to the data exchange mode.	<ul style="list-style-type: none"> • Slave not configured yet or wrong configuration • Wrong station address assigned (but not outside the permitted range) • Actual configuration of the slave differs from the nominal configuration
on	off	Data exchange. Slave and operation ok.	

1) flashing frequency 0.5 Hz for at least 3 seconds

Model Number



Connection type

BP 2 Sockets/ 1 plug M12 x 1

Electrical interface

B17 ProfiNet

Material

- A** STD anodized aluminum
- H** Aluminum, Hart Coat coating

Attachment

- 1** Bellows with steel tip
- 2** Brush attachment with bellows and steel tip
- 4** Guide pulley
- 5** Double guide pulley
- 8** 2+4

Cable mounts

- A** Ring PE carrier
- C** Ball joint

Length of measuring cable

01-60 See table "Variable Data and Dimensions"

Release date: 2019-07-10 14:03 Date of issue: 2019-07-10 1183461_eng.xml