

PZJ (PZ-9) Triplex Drilling Mud Pump



Specifications	Drilling Service
Maximum Input	1000 BHP (746 kw)
Maximum RPM	130 RPM
Stroke Length	9" (229 mm)
Piston Load	101,550 lbs. (36,062 kg)
Pump Weight	24,368 lbs. (11,075 kg) average
Gear Ratio	4.48:1

PZJ (PZ-9) Drilling Service Ratings

Piston Cylinder		Displacement				Maximum PSI		Pump RPM	JackShaft RPM
Diameter		Per Revolution		Per Minute		PSI	Kg/sq.cm2		
Inch	mm	Gal.	Lit.	Gal.	Lit.	PSI	Kg/sq.cm2		
7	178	4.50	17.03	585	2,214	2,639	186	130	582
6.5	165	3.88	14.69	504	1,908	3,060	215		
6.25	159	3.59	13.59	466	1,764	3,310	233		
6	152	3.30	12.49	430	1,628	3,592	253		
5.5	140	2.78	10.52	361	1,367	4,274	301		
5	127	2.29	8.67	298	1,128	5,000	352		
4.5	114	1.86	7.04	242	916	5,000	352		
4	102	1.47	5.56	191	725	5,000	352		

Weight: Complete pump with large steel skid – 29,200 pounds.
 Ratings are based on 90% mechanical efficiency and 100% volumetric efficiency.

PZJ (PZ-9) Triplex Drilling Mud Pump

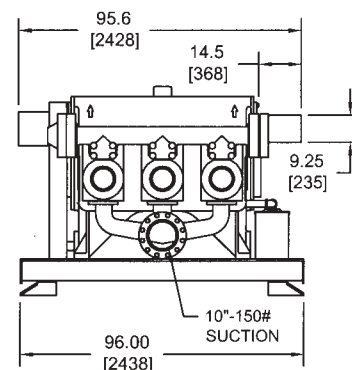
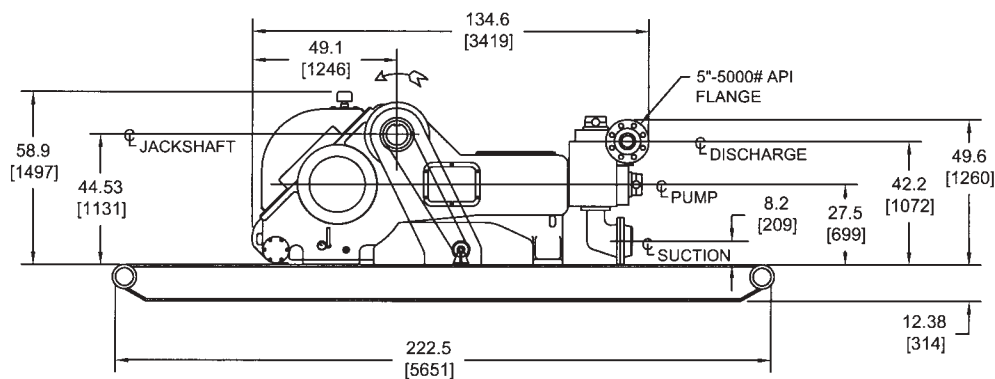


Standard Features

- Nodular iron power frame, eccentric, connection rods, and crossheads
- Double-row-spherical roller bearings carry eccentric
- Double extended Jackshaft carried on heavy-duty straight roller bearings
- Dual roller bearing connecting rod
- Heat-treated alloy steel main gears are bolted to the eccentric
- Replaceable bronze crosshead slides
- Full splash lubrication, with oil pump to feed working parts
- Heat-treated alloy steel, interchangeable fluid cylinders
- Three-rib API-7 urethane insert valves and seats
- Replaceable-type element oil filter and oil pressure gauge
- Threaded valve covers
- Plated piston rods
- Complete piston washing and lubrication system

Optional Equipment

- Steel skid under pump only
- Large steel skid with non-skid decking
- Centrifugal suction charging pump
- Rubber valve inserts
- Suction and/or discharge dampeners
- Oil heat exchanger
- External electric powered lube pump
- Fabricated suction manifold
- Custom packaging available
- Full open valves



Note: All installations must contain a pressure relief valve in the discharge line near the pump.

Gardner Denver

Drilling & Production Pumps
Gardner Denver Pump Division
1800 Gardner Expressway
Quincy, IL 62301
Phone: 217-224-8800
Fax: 217-224-7814

Drilling & Production After-Market
Gardner Denver Pump Division
2200 South Prospect
Oklahoma City, OK 73129
Phone: 405-677-5736
Fax: 405-677-5807

Well Service Pumps
Gardner Denver Pump Division
4747 South 83rd East Avenue
Tulsa, OK 74145
Phone: 918-828-7800
Fax: 918-447-6487

GEOQUIP SERVICE CENTER
After-Market & Repair Facility
Gardner Denver Pump Division
7533 Kathy Lane
Fort Worth, TX 76126
Phone: 817-249-6400
Fax: 817-249-6383

CHAPARRAL SERVICE CENTER
After-Market & Repair Facility
Gardner Denver Pump Division
2121 West 44th Street
Odessa, TX 79764
Phone: 432-366-5433
Fax: 432-363-9940

< www.gardnerdenver.com >