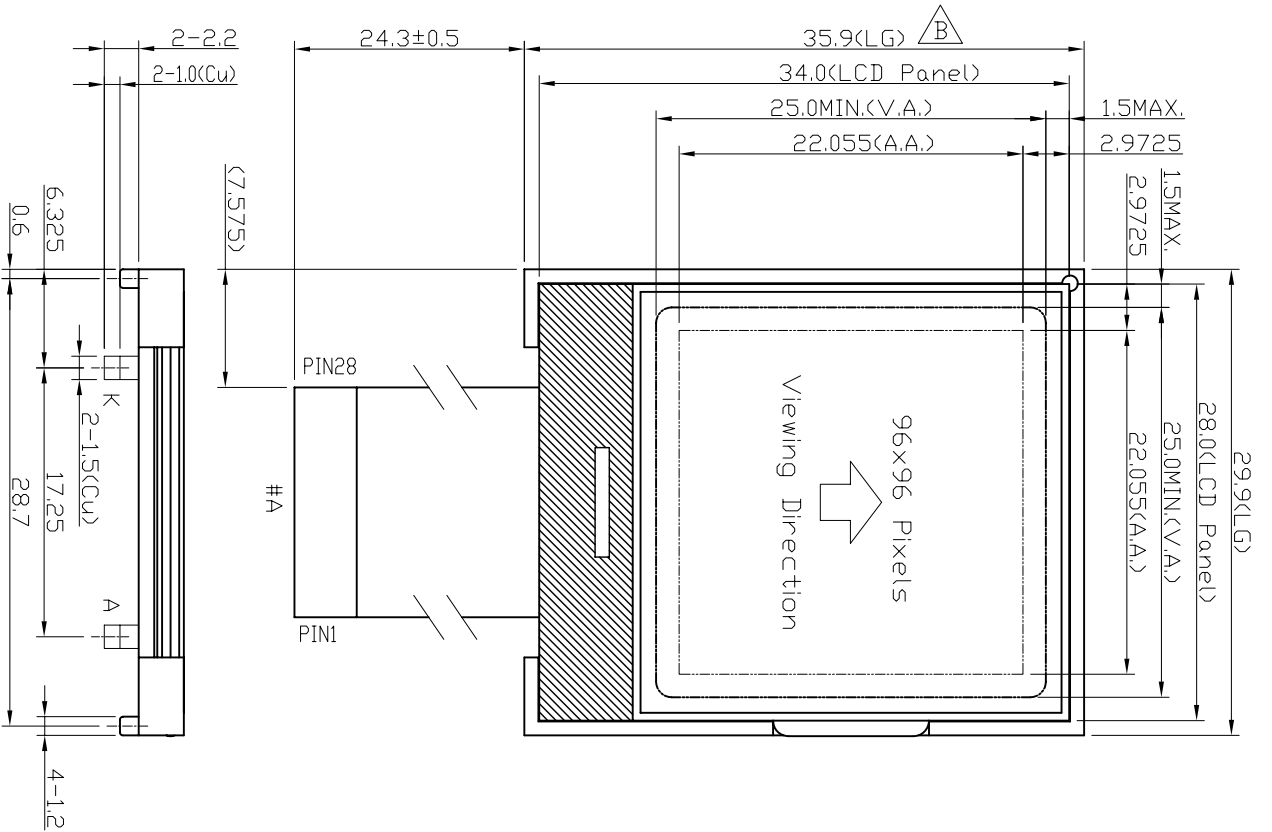
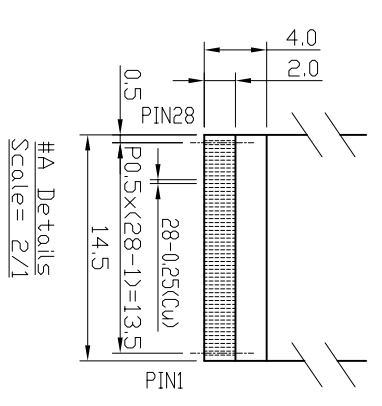
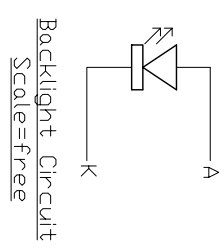
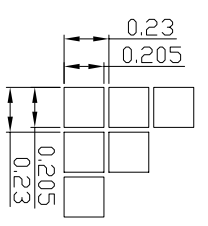


PIN	SYMBOL	PIN	SYMBOL
1	VSS	15	DB5
2	PS0	16	DB6
3	VDD	17	DB7
4	PS1	18	VDD
5	/CS	19	VSS
6	/RES	20	VOUT
7	D/C	21	C4+
8	R/W	22	C4-
9	E	23	C3+
10	DB0	24	C3-
11	DB1	25	C2+
12	DB2	26	C2-
13	DB3	27	C1+
14	DB4	28	C1-



- Note:
- \*1. LCD Display Type : FSTN, Positive, Transflective
  - \*2. Viewing Direction : 6H
  - \*3. Duty : 1/96; Bias : 1/11
  - \*4. Operating Voltage : 3.3V , Vop = 13.0V
  - \*5. Storage Temperature : 0°C~50°C
  - \*6. Storage Temperature : -10°C~60°C
  - \*7. Control/Drive IC : SSD1848
  - \*8. Backlight : Blue LED(If = 15mA TYP.)

# HOT DISPLAY

**HTG9696A Outline Dwg**

Dwg Title		HTG9696A Outline Dwg	
Dwg No.		060226(Rev.02)	
Scale		2/1	
Unit	Tol.	Unit	Tol.
mm	±0.5	mm	±0.5
Checked	Approved	Checked	Approved
Rev.	JACK	Rev.	JACK
B	2008-05-13	B	2008-05-13
-Revise Dwtline Dimension		-Revise Dwtline Dimension	
-Revise Terminal		-Revise Terminal	